

**CHAPTER**

**33**

**LIGHTS**

CESSNA®  
**MODEL 208**  
 ILLUSTRATED PARTS CATALOG

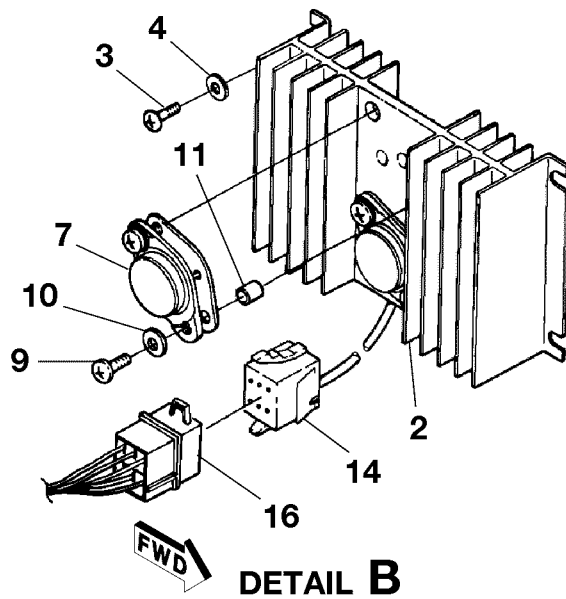
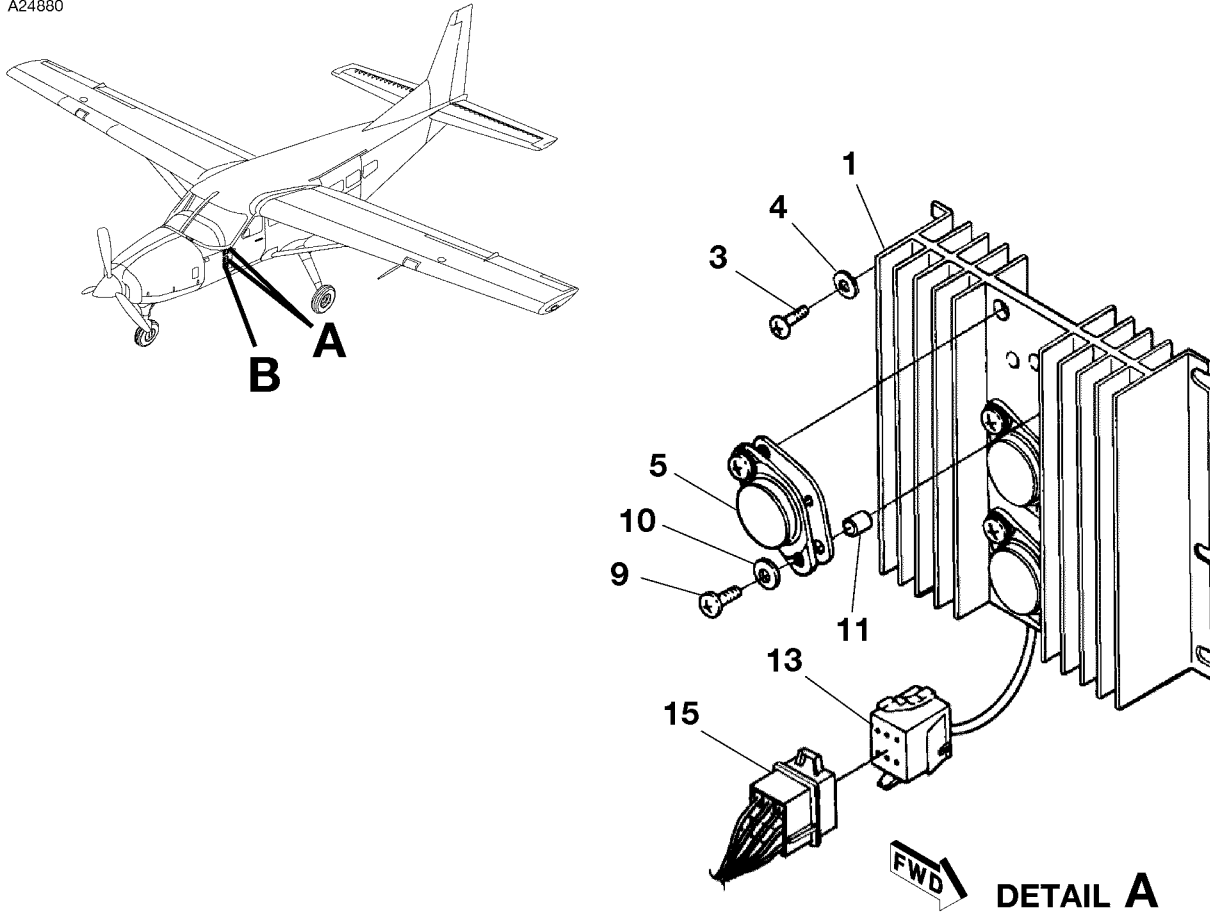
<b>CHAPTER SECTION SUBJECT</b>		<b>NUMBER OF PAGES</b>	<b>DATE</b>
33 - TITLE			
33 - LIST OF EFFECTIVE PAGES			
33 - RECORD OF TEMPORARY REVISIONS			
33 - TABLE OF CONTENTS			
33-10-00	Figure 01	6	Jun 1/2010
33-10-00	Figure 01A	2	Mar 1/2020
33-10-00	Figure 02	4	Sep 1/2017
33-10-00	Figure 03	2	Dec 1/2012
33-10-00	Figure 04	2	Jun 1/2010
33-10-00	Figure 05	2	Mar 1/2020
33-10-00	Figure 06	2	Dec 1/2012
33-10-01	Figure 01	2	Mar 1/2017
33-20-00	Figure 01	4	Sep 1/2019
33-20-00	Figure 01A	2	Apr 1/2016
33-20-00	Figure 02	2	Jun 1/2010
33-20-00	Figure 03	2	Mar 1/2015
33-20-00	Figure 03A	2	Dec 1/2012
33-20-00	Figure 04	2	Jun 1/2010
33-40-00	Figure 01	2	Mar 1/2020
33-40-00	Figure 01A	2	Mar 1/2020
33-41-00	Figure 01	2	Mar 1/2020
33-41-00	Figure 01A	2	Mar 1/2020
33-41-00	Figure 02	2	Mar 1/2020
33-43-00	Figure 01	2	Mar 1/2020
33-43-00	Figure 01A	2	Mar 1/2020
33-44-00	Figure 01	2	Jun 1/2013
33-44-00	Figure 02	2	Jun 1/2013
33-44-00	Figure 03	2	Dec 1/2012
33-45-00	Figure 01	2	Mar 1/2020
33-45-00	Figure 01A	2	Mar 1/2020

CESSNA®  
**MODEL 208**  
 ILLUSTRATED PARTS CATALOG

<u>SUBJECT</u>	<u>CHAPTER SECTION SUBJECT</u>	<u>FIGURE</u>	<u>EFFECTIVITY</u>	
			<u>START</u>	<u>END</u>
INSTRUMENT PANEL LIGHTING INSTALLATION	33-10-00	01		
LED INSTRUMENT PANEL	33-10-00	01A	0500 B2000	& ON & ON
ANNUNCIATOR PANEL INSTALLATION	33-10-00	02		
CIRCUIT BREAKER PANEL LIGHTING INSTALLATION	33-10-00	03		
MAPLIGHT - CONTROL WHEEL	33-10-00	04		
WINDSHIELD ICE INDICATOR LIGHT INSTALLATION	33-10-00	05		
TKS WINDSHIELD ICE DETECT LIGHT INSTALLATION	33-10-00	06	0500 B2000	& ON & ON
LED PANELS	33-10-01	01	B5000	& ON
CABIN LIGHTING INSTALLATION	33-20-00	01		
CABIN LIGHTING INSTALLATION	33-20-00	01A	B5000	& ON
PASSENGER READING LIGHT INSTALLATION	33-20-00	02	0001	0207
PASSENGER READING LIGHT INSTALLATION	33-20-00	03	0208 B0214	& ON B4999
PASSENGER LED READING LIGHT INSTALLATION	33-20-00	03A	B5000	& ON
PRIMARY AND SECONDARY CONSOLE LIGHTING INSTALLATION	33-20-00	04		
LANDING AND TAXI LIGHT INSTALLATION	33-40-00	01	0001 B0001	0663 B4999
LANDING AND TAXI LIGHT INSTALLATION - LIGHT EMITTING DIODE (LED)	33-40-00	01A	0064 B5000	& ON & ON
WING NAVIGATION AND STROBE LIGHT INSTALLATION	33-41-00	01	0001 B0001	0663 B4999
WING NAVIGATION LED LIGHT INSTALLATION	33-41-00	01A	0664 B5000	& ON & ON
TAIL NAVIGATION LIGHT INSTALLATION	33-41-00	02		
FLASHING BEACON LIGHT INSTALLATION	33-43-00	01	0001 B0001	0663 B4999
LED FLASHING BEACON LIGHT INSTALLATION	33-43-00	01A	0664 B5000	& ON & ON
ICE DETECTOR LIGHT INSTALLATION	33-44-00	01	0001	& ON
ICE DETECTOR LIGHT INSTALLATION	33-44-00	02	B0001	B2499
WING LED INSPECTION LIGHT INSTALLATION	33-44-00	03	B5000	& ON
COURTESY LIGHT INSTALLATION - WING	33-45-00	01	0001 B0001	0663 B4999
LED COURTESY LIGHT INSTALLATION - WING	33-45-00	01A	0664 B5000	& ON & ON

CESSNA®  
**MODEL 208**  
ILLUSTRATED PARTS CATALOG

A24880



INSTRUMENT PANEL LIGHTING INSTALLATION  
FIGURE 01 (SHEET 1)

2610T7002  
A2618R1155  
B2618R1154

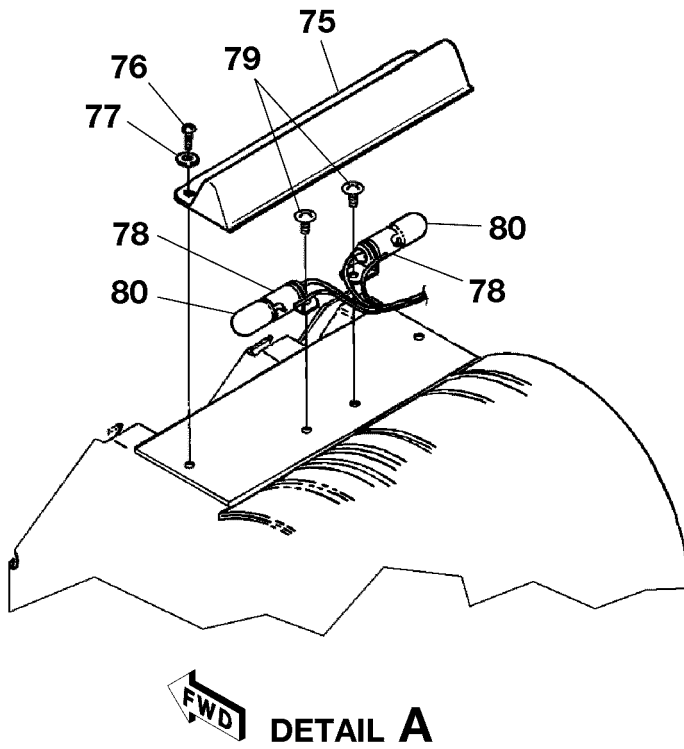
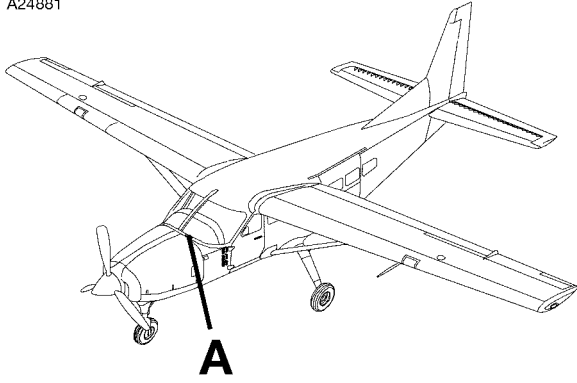
**CESSNA®**  
**MODEL 208**  
**ILLUSTRATED PARTS CATALOG**

FIG ITEM	PART NUMBER	NOMENCLATURE	UNITS PER ASSY		
			1	2	3
01		INSTRUMENT PANEL LIGHTING INSTALLATION			RF R
- 1	1570301-1	. DIMMING ASSY . . . . .	0001	0499	02 R
			B0001	B1999	
- 1A	1570301-5	. DIMMING ASSY UC009 . . . . .	0500	& ON	01 R
			B2000	& ON	
- 1B	1570301-5	. DIMMING ASSY UC010 . . . . .	0500	& ON	01 R
			B2000	& ON	
2	1570166-1	. DIMMING ASSY . . . . .	0001	0499	01 R
			B0001	B1999	
- 2A	1570166-3	. DIMMING ASSY . . . . .	0500	& ON	01 R
			B2000	& ON	
		ATTACHING PARTS			
3	MS35206-263	. SCREW . . . . .			04
4	NAS1149F0332P	. WASHER . . . . .			04
		—*—			
5	2N6576	. . TRANSISTOR . . . . .	0001	0499	03 R
			B0001	B1999	
- 6	2N6577	. . TRANSISTOR ALT FOR 2N6576 . . . . .	0001	0499	03 R
			B0001	B1999	
- 6A	LM350K	. . VOLTAGE REGULATOR EQU FOR LM350KSTEEL/NOPB QZ001 . . . . . V07688	0500	& ON	01 R
			B2000	& ON	
- 6B	LM350K	. . VOLTAGE REGULATOR EQU FOR LM350KSTEEL/NOPB QZ002 . . . . . V07688	0500	& ON	01 R
			B2000	& ON	
- 6C	LM350K	. . VOLTAGE REGULATOR EQU FOR LM350KSTEEL/NOPB QZ003 . . . . . V07688	0500	& ON	01 R
			B2000	& ON	
7	2N6576	. . TRANSISTOR . . . . .	0001	0499	02 R
			B0001	B1999	
- 8	2N6577	. . TRANSISTOR ALT FOR 2N6576 . . . . .	0001	0499	02 R
			B0001	B1999	
- 8A	LM350K	. . VOLTAGE REGULATOR EQU FOR LM350KSTEEL/NOPB QZ001 . . . . . V07688	0500	& ON	01 R
			B2000	& ON	
		ATTACHING PARTS			
9	S1021Z6-8	. . SCREW . . . . .	0001	0499	02 R
			B0001	B1999	
10	NAS1149F0332P	. . WASHER . . . . .	0001	0499	02 R
			B0001	B1999	
- 10A	NAS1149FN616P	. . WASHER . . . . .	0500	& ON	02 R
			B2000	& ON	
11	4004	. . SPACER . . . . . V83330	0001	0499	02 R
			B0001	B1999	
- 12	314-1431-006-500	. . SPACER ALT FOR 4004 . . . . . V74970	0500	& ON	02 R
			B2000	& ON	
		—*—			
- 12A	1009-05	. . INSULATOR . . . . . V55285	0500	& ON	01 R
			B2000	& ON	
13	S1641-9	. . HOUSING-SOCKET . . . . .	0001	0499	01 R
			B0001	B1999	
- 13A	0570558-2	. . WBA-DIMMING CONTROL MODULE . . . . .	0500	& ON	01 R
			B2000	& ON	
14	S1641-6	. . HOUSING-SOCKET . . . . .	0001	0499	01 R
			B0001	B1999	
- 14A	0570561-1	. . WBA-DIMMING CONTROL MODULE . . . . .	0500	& ON	01 R
			B2000	& ON	
- 14B	S1155-3	. . CLAMP . . . . .	0500	& ON	01 R
			B2000	& ON	
		ATTACHING PARTS			
- 14C	S1676-2B20	. . SCREW . . . . .	0500	& ON	01 R
			B2000	& ON	
- 14D	NAS1149FN616P	. . WASHER . . . . .	0500	& ON	01 R
			B2000	& ON	
- 14E	MS35333-37	. . WASHER . . . . .	0500	& ON	01 R
			B2000	& ON	
- 14F	MS35649-262	. . NUT . . . . .	0500	& ON	01 R
			B2000	& ON	
		—*—			
15	S1640-9	. . HOUSING-PIN . . . . .	0001	0499	02 R
			B0001	B1999	
16	S1640-6	. . HOUSING-PIN . . . . .	0001	0499	01 R
			B0001	B1999	

- ITEM NOT ILLUSTRATED

CESSNA®  
**MODEL 208**  
ILLUSTRATED PARTS CATALOG

A24881



2610T7002  
A2618R1031

INSTRUMENT PANEL LIGHTING INSTALLATION  
FIGURE 01 (SHEET 2)

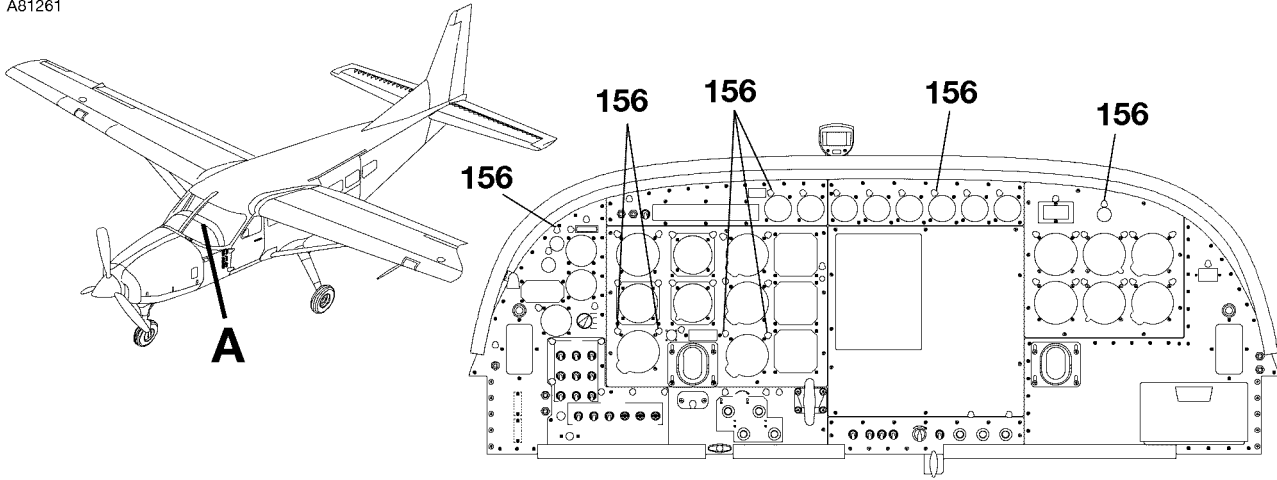
CESSNA®  
**MODEL 208**  
 ILLUSTRATED PARTS CATALOG

FIG ITEM	PART NUMBER	NOMENCLATURE	UNITS
			PER ASSY
		1 2 3 4 5 6 7	
01			
75	2613372-4	. SHIELD ASSY-LOWER INSTRUMENT PANEL LIGHT . . . . .	01 R
		ATTACHING PARTS	
76	MS35206-245	. SCREW . . . . .	02 R
77	NAS1149FN816P	. WASHER . . . . .	02 R
		—*	
78	S2524-1	. SOCKET-LIGHT . . . . .	02 R
		ATTACHING PARTS	
79		. SCREW . . . . .	RF R
		—*	
80	MS25231-1829	. LAMP-LOWER INSTRUMENT PANEL LIGHT . . . . .	02 R

- ITEM NOT ILLUSTRATED

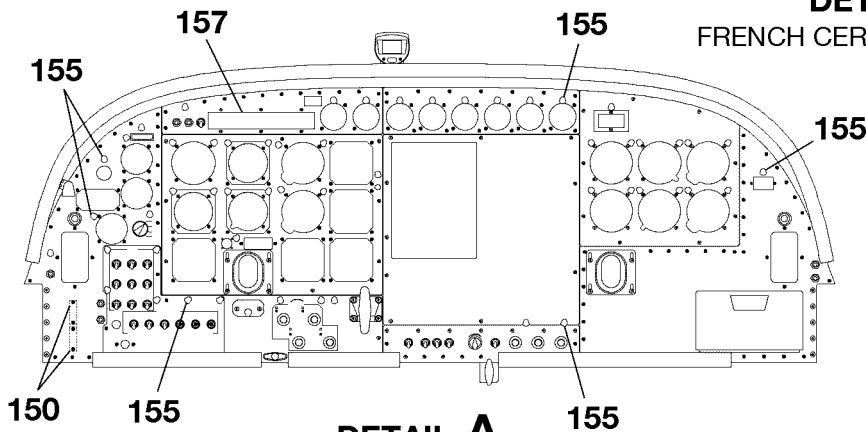
CESSNA®  
**MODEL 208**  
 ILLUSTRATED PARTS CATALOG

A81261



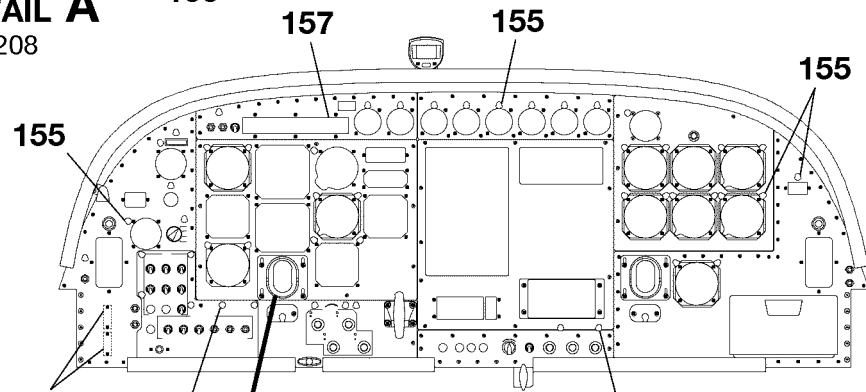
**DETAIL A**

FRENCH CERTIFIED AIRCRAFT



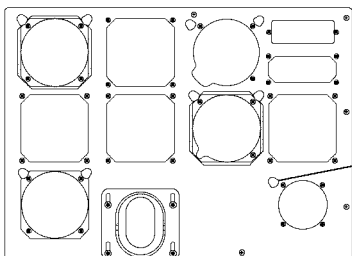
**DETAIL A**

208



**DETAIL A**

208B



**DETAIL B**

2610T7002  
 A2618T1010  
 A2618T1015  
 A2618T1012  
 B2618T1014

INSTRUMENT PANEL LIGHTING INSTALLATION  
 FIGURE 01 (SHEET 3)



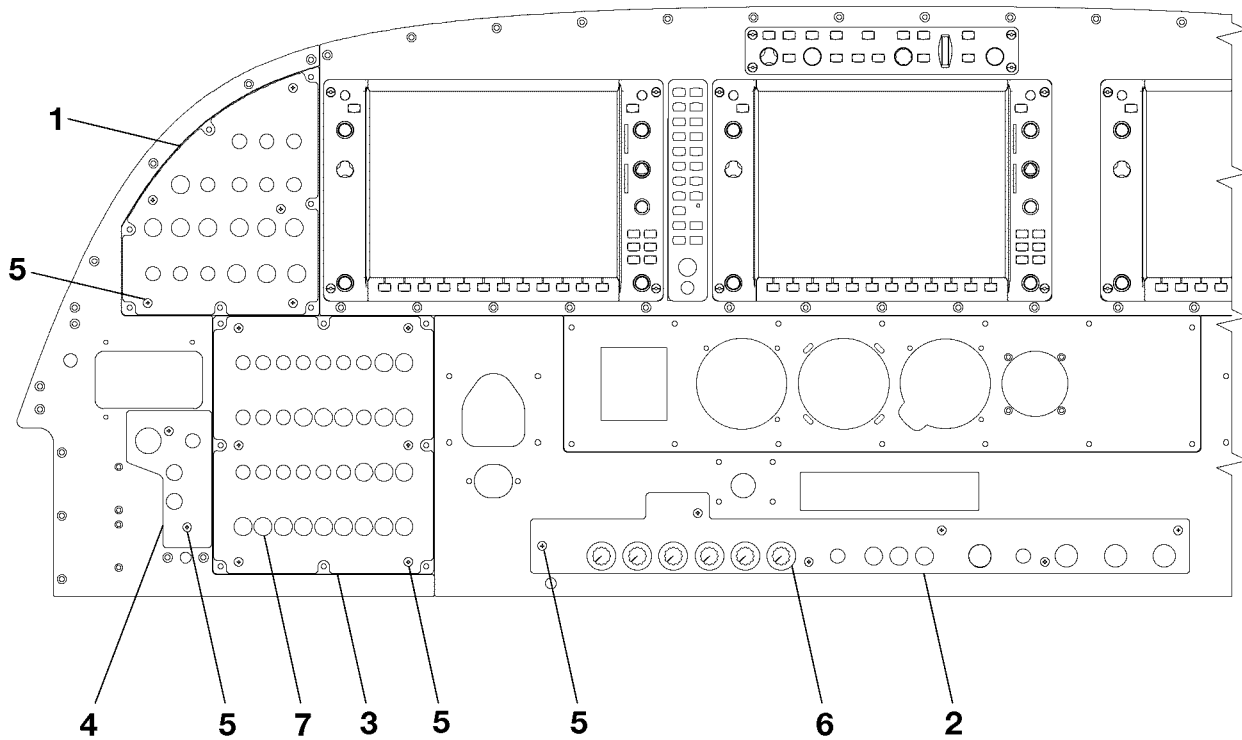
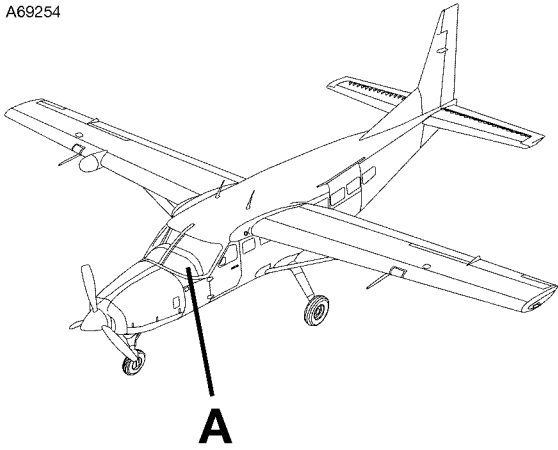
CESSNA®  
**MODEL 208**  
 ILLUSTRATED PARTS CATALOG

FIG ITEM	PART NUMBER	NOMENCLATURE	1 2 3 4 5 6 7							UNITS PER ASSY
01										
150	S2567-3	. TERMINAL BLOCK-POST LIGHTS . . . . .								03 R
- 151	S2567-3	. TERMINAL BLOCK-POST LIGHTS LOCATED ON COWL DECK REFER TO NOTE 1. . . . . ATTACHING PARTS							0140 & ON B0039 & ON	01 R
- 152	MS24693-S29	. SCREW . . . . .								02 R
- 153	MS35333-105	. WASHER . . . . .								02 R
- 154	MS35649-265	. NUT . . . . .								02 R
		—*								
155	2670067-1	. POST LIGHT ASSY . . . . .								AR R
156	2670067-1	. POST LIGHT ASSY REFER TO NOTE 1. . . . .							0140 & ON B0039 & ON	AR R
157		. ANNUNCIATOR PANEL REFER TO 33-10-00 FIGURE 02 . . . . .								RF R
		NOTE 1—USED ON FRENCH CERTIFIED AIRPLANES								R

- ITEM NOT ILLUSTRATED

CESSNA®  
**MODEL 208**  
ILLUSTRATED PARTS CATALOG

A69254



**DETAIL A**  
VIEW LOOKING FORWARD

LED INSTRUMENT PANEL  
FIGURE 01A (SHEET 1)

2610T7005  
A2618T1416

**CESSNA®**  
**MODEL 208**  
**ILLUSTRATED PARTS CATALOG**

FIG ITEM	PART NUMBER	NOMENCLATURE	UNITS PER ASSY		
			1	2	3
01A		LED INSTRUMENT PANEL -RERER TO NOTE 1	0500	& ON	RF
-			B2000	& ON	
1	9910616-3	. LED PANEL-SWITCH UI001 . . . . .	0500	& ON	01
			B2000	B4999	
- 1A	9910616-9	. LED PANEL-SWITCH 115V UI001 . . . . .	B5000	& ON	01
- 1B	9910616-6	. LED PANEL-SWITCH UI001 REFER TO NOTE 2 . . . . .	0520	& ON	01
			B2168	& ON	
- 1C	9910616-5	. LED PANEL-SWITCH LAA UI001 REFER TO NOTE 3 . . . . .	0518	& ON	01
			B2000	B4999	
- 1D	9910616-8	. LED PANEL-SWITCH LAA 115V UI001 . . . . .	B5000	& ON	01
- 1E	9910616-7	. LED PANEL-SW LAA UI001 REFER TO NOTE 2 . . . . .	0520	0573	01
			B2168	B5224	
2	9910617-2	. LED PANEL-ENVIRO UI004 . . . . .	0500	& ON	01
			B2000	B4999	
- 2A	9910617-4	. LED PANEL-ENVIRO UI004 . . . . .	B5000	& ON	01
- 2B	9910617-3	. LED PANEL-ENVIRO LAA UI004 . . . . .	0518	& ON	01
			B2000	B4999	
- 2C	9910617-5	. LED PANEL-ENVIRO WITH LAA UI004 . . . . .	B5000	& ON	01
3	9910618-3	. LED PANEL-AV CB UI003 . . . . .	0500	0523	01
			B2000	B2225	
- 3A	9910618-4	. LED PANEL-AV CB UI003 REFER TO NOTE 3 AND NOTE 4 . . . . .	0524	0532	01
			B2226	B2302	
			B2303	B2303	
- 3B	9910618-5	. LED PANEL-AV CB UI003 REFER TO NOTE 3 AND NOTE 4 . . . . .	0533	0650	01 R
			B2303	B5500	
- 3C	9910618-6	. LED PANEL-AV CB UI003 . . . . .	0651	& ON	01 R
			B5501	& ON	
4	9910619-2	. LED PANEL-LH UI002 . . . . .	0500	& ON	01
			B2000	B4999	
- 4A	9910619-4	. LED PANEL-LH UI002 . . . . .	B5000	& ON	01
		ATTACHING PARTS			
5	CM3558-4-10G2	. SCREW . . . . .			19
		—*—			
6	S3839-2	. KNOB . . . . .			06
7	CM2692-15S1S	. PLUG BUTTON-USE WHEN OPTION IS NOT INSTALLED . . . . .			AR

NOTE 1—THIS FIGURE CONTAINS PRODUCTION PARTS AND ASSEMBLIES INSTALLED WITH THE TKS AND/OR LOW AIRSPEED AWARENESS (LAA) SYSTEMS. TO ORDER PARTS FOR SERIAL SPECIFIC CONFIGURATIONS/INSTALLATIONS MODIFIED BY SK208-174, SK208-175, SK208-179, SK208-180, CAB09-9, AND CAB08-7, PLEASE REFER TO THE LATEST APPLICABLE REVISION OF THE SPECIFIC CARAVAN BULLETIN (CAB) AND/OR SERVICE KIT (SK) FOR DETAILED INFORMATION.

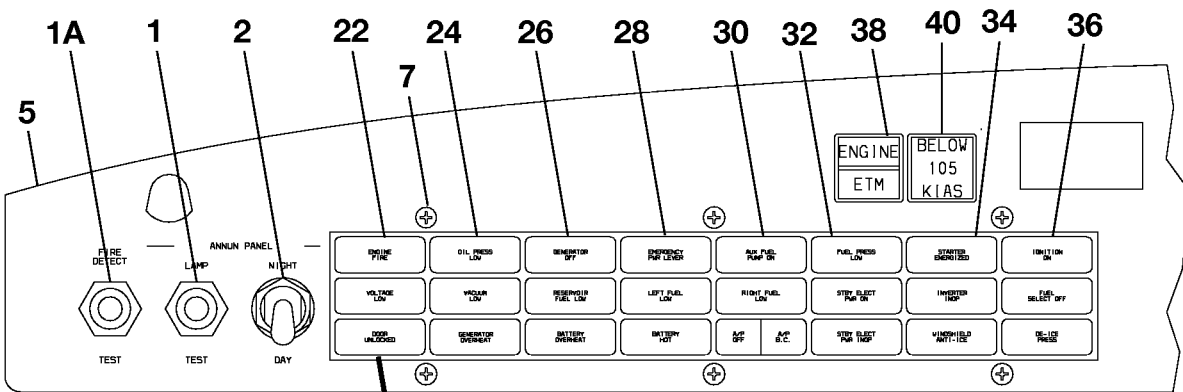
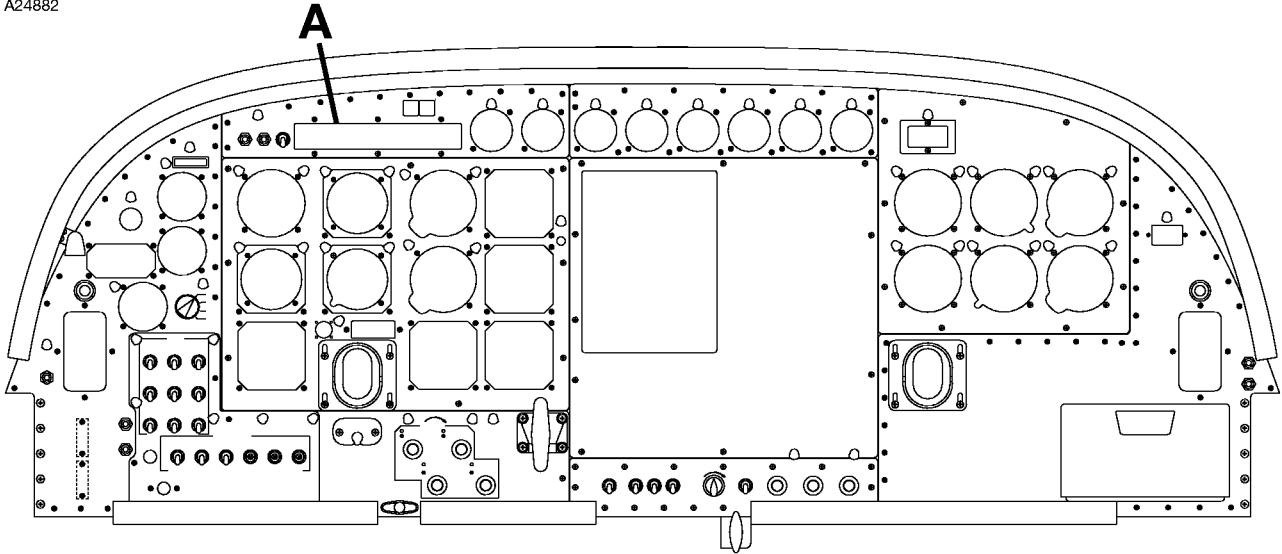
NOTE 2—USED WITH CHINESE CERTIFIED AIRCRAFT

NOTE 3—PERMISSIBLE TO USE 9910618-4 IN LIEU OF 9910618-5 FOR SERIALS -0533 THRU -0534 AND -B2303 THRU -B2330.

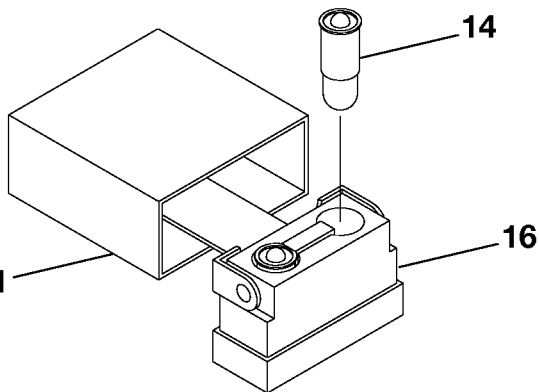
NOTE 4—ALSO USED WITH OPTIONAL 2ND GMA1347 AUDIO PANEL

CESSNA®  
**MODEL 208**  
 ILLUSTRATED PARTS CATALOG

A24882



**DETAIL A**



**DETAIL B**

ANNUNCIATOR PANEL INSTALLATION  
 FIGURE 02 (SHEET 1)

2618T1015  
 A2618T1017  
 B2618T1380

**CESSNA®  
MODEL 208  
ILLUSTRATED PARTS CATALOG**

FIG ITEM	PART NUMBER	NOMENCLATURE	UNITS PER ASSY	
			1 2 3 4 5 6 7	
02		ANNUNCIATOR PANEL INSTALLATION		RF
-				
1	3PB11T2	. SWITCH-ANNUNCIATOR PANEL LAMP TEST . . . . .		01
1A	C20050R	. SWITCH-FIRE DETECT TEST . . . . .	0001 0499	01
			B0001 B1999	
2	MS35058-23	. SWITCH-ANNUNCIATOR PANEL NIGHT-DAY . . . . .		01
- 3	C15	. CAP WHITE . . . . .	0197 & ON	01
			B0229 & ON	
- 4	M23053/5-110-9	. SLEEVING-SHRINK BKI 6.00 IN LG . . . . .		01
5	2670038-2	. ANNUNCIATOR PANEL ASSY REFER TO NOTE 1 . . . . .	0001 0145	01
			B0001 B0179	
- 6	2670104-1	. ANNUNCIATOR PANEL ASSY FSO 2670104-2 REFER TO NOTE 1 . . . . .	0146 0240	NP
			B0180 B0417	
- 6A	2670104-2	. ANNUNCIATOR PANEL ASSY . . . . .	0241 0499	01
			B0418 B1999	
		ATTACHING PARTS		
7	MS35214-25	. SCREW-ANNUNCIATOR ATTACH . . . . .		06
		—*—		
- 8	2670037-2	. . . CIRCUIT BOARD ASSY-ANNUNCIATOR . . . . .	0001 0145	01
			B0001 B0179	
- 9	2670037-3	. . . CIRCUIT BOARD ASSY-ANNUNCIATOR . . . . .	0146 0240	01
			B0180 B0417	
- 9A	2670037-4	. . . CIRCUIT BOARD ASSY-ANNUNCIATOR . . . . .	0241 & ON	01
			B0418 & ON	
- 10	MS35206-226	. . . SCREW-CIRCUIT BOARD ATTACH . . . . .	0001 0145	05
			B0001 B0179	
- 11	MS35206-228	. . . SCREW-CIRCUIT BOARD ATTACH . . . . .	0146 & ON	05
			B0180 & ON	
- 12	NAS1149FN416P	. . . WASHER-CIRCUIT BOARD ATTACH . . . . .	0146 & ON	05
			B0180 & ON	
- 13		. . . DELETED-NOT USED . . . . .		
14	S3368-2	. . . LAMP . . . . .		46
- 15	MS25237-8918	. . . LAMP-IGNITION ON . . . . .		02
16	66-2411-1	. . . LENS RETAINER . . . . . V72914		AR
- 17	76-1163-1	. . . DIVIDER-SPLIT INDICATORS . . . . . V72914		AR
- 18	81-2686-1	. . . PLATE-COVER ANNUNCIATOR PANEL FOR ACCESS TO ELECTRONICS . . . . . V72914		01
- 19	81-2682-1	. . . ANNUNCIATOR PANEL SUB ASSY . . . . . V72914		01
- 20	81-2688-1	. . . IDENT PLATE-ANNUNCIATOR PANEL . . . . . V72914		01
21	66-2827-1	. . . PIN & HOUSING . . . . . V72914		AR
22	65-0916-3-435	. . . LIGHT ASSY-INDICATOR ENGINE FIRE . . . . . V72914		01
- 23	25-0890-435	. . . ENGINE FIRE FILTER . . . . . V72914		01
24	65-0916-3-384	. . . LIGHT ASSY-INDICATOR OIL PRESS LOW . . . . . V72914		01
- 25	25-0890-384	. . . OIL PRESS LOW FILTER . . . . . V72914		01
26	65-0916-3-386	. . . LIGHT ASSY-INDICATOR GENERATOR OFF . . . . . V72914		01
- 27	25-0890-386	. . . GEN OFF FILTER . . . . . V72914		01
28	65-0916-3-443	. . . LIGHT ASSY-INDICATOR EMRCY PWR LVR . . . . . V72914		01
- 29	25-0890-443	. . . EMERGENCY POWER FILTER . . . . . V72914		01
30	65-0916-3-427	. . . LIGHT ASSY-INDICATOR AUX FUEL PUMP ON . . . . . V72914		01
- 31	25-0890-427	. . . AUX FUEL PUMP ON FILTER . . . . . V72914		01
32	65-0916-3-392	. . . LIGHT ASSY-INDICATOR FUEL PRESS LOW . . . . . V72914		01
- 33	25-0890-392	. . . FUEL PRESS LOW FILTER . . . . . V72914		01
34	65-0916-3-391	. . . LIGHT ASSY-INDICATOR STARTER ENERGIZED . . . . . V72914		01
- 35	25-0890-391	. . . FILTER-STARTER ENERGIZED . . . . . V72914		01
36	65-0916-3-442	. . . LIGHT ASSY-INDICATOR IGNITION ON . . . . . V72914		01
- 37	25-0890-442	. . . IGNITION ON FILTER . . . . . V72914		01
38	29077-005	. . . COCKPIT ANNUNCIATOR-ALTAIR . . . . . V81590	0382 0386	01
			B1087 B1108	
- 39	29077-006	. . . COCKPIT ANNUNCIATOR-ALTAIR REFER TO NOTE 2 . . . . . V81590	0387 & ON	01
			B1109 & ON	
40	29077-003	. . . INDICATOR-LOW AIRSPEED AWARENESS REFER TO NOTE 3 . . . . . V81590	0382 0403	01
			B1088 B1210	
- 40A	29077-101	. . . INDICATOR-LOW AIRSPEED AWARENESS SI033 . . . . . V81590	0404 & ON	01
			B1211 & ON	

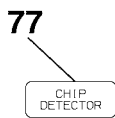
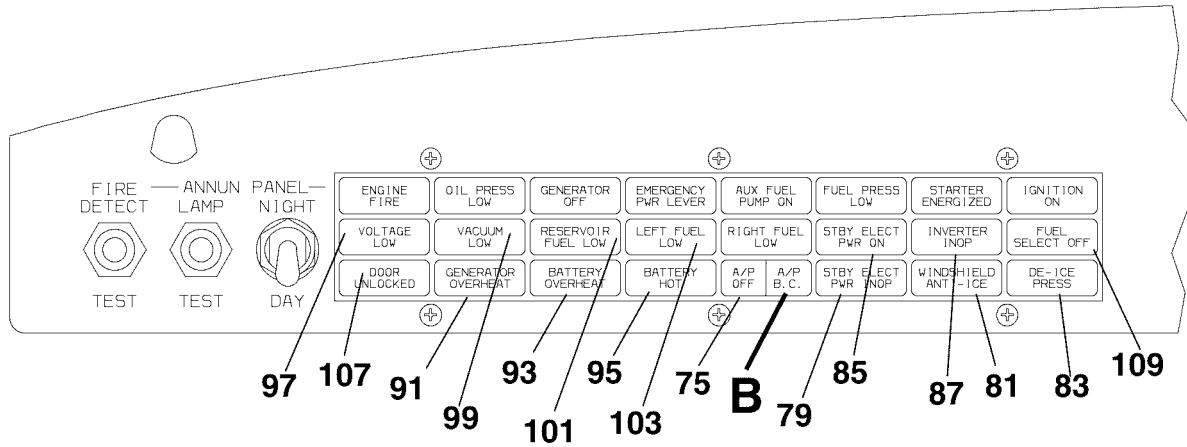
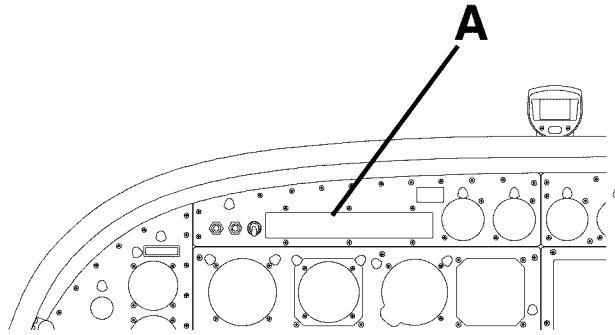
NOTE 1—WHEN ORDERING THIS PART ALSO ORDER OPTIONAL LIGHT ASSEMBLIES OR FILTERS ACCORDING TO AIRCRAFT EQUIPMENT

NOTE 2—AIRPLANES -0372 THRU -0386 AND -B1044 THRU -B1106 INCORPORATING CAB05-6.

NOTE 3—AIRPLANES-0001 THRU-0381 AND -B0001 THRU -B1086 INCORPORATING SK208-146.

CESSNA®  
**MODEL 208**  
 ILLUSTRATED PARTS CATALOG

A24883



**DETAIL B**

**DETAIL A**

2618T1015  
 A2618T1017  
 B2618T1017

ANNUNCIATOR PANEL INSTALLATION  
 FIGURE 02 (SHEET 2)

**CESSNA®**  
**MODEL 208**  
**ILLUSTRATED PARTS CATALOG**

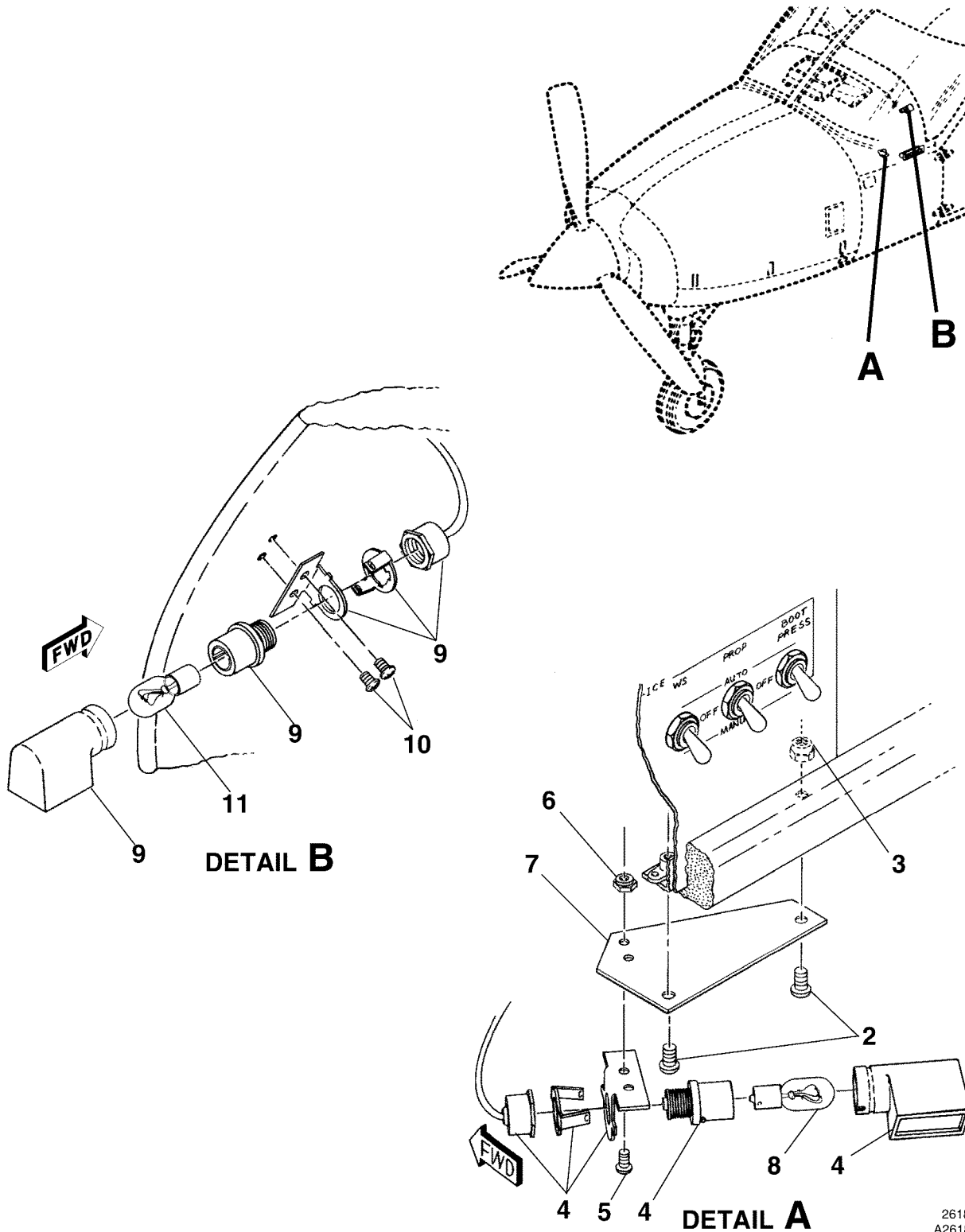
FIG ITEM	PART NUMBER	NOMENCLATURE	1 2 3 4 5 6 7							UNITS PER ASSY	
02											
75	65-0916-3-431	.. LIGHT ASSY-INDICATOR A/P OFF-A/P B.C. . . . .						V72914	0001	0145	01
- 76	25-0890-431	.. FILTER . . . . .						V72914			01
77	65-0916-3-432	.. LIGHT ASSY-INDICATOR CHIP DETECTOR . . . . .						V72914	0001	0102	01
									B0001	B0179	
- 78	25-0890-432	.. FILTER . . . . .						V72914			01
79	65-0916-3-433	.. LIGHT ASSY-INDICATOR STDBY ELEC PWR INOP . . . . .						V72914			01
- 80	25-0890-433	.. FILTER . . . . .						V72914			01
81	65-0916-3-434	.. LIGHT ASSY-INDICATOR WINDSHIELD ANTI-ICE . . . . .						V72914			01
- 82	25-0890-434	.. FILTER . . . . .						V72914			01
83	65-0916-3-399	.. LIGHT ASSY-INDICATOR DEICE PRESSURE . . . . .						V72914			01
- 84	25-0890-399	.. FILTER . . . . .						V72914			01
85	65-0916-3-429	.. LIGHT ASSY-INDICATOR STDBY ELECT PWR ON . . . . .						V72914			01
- 86	25-0890-429	.. FILTER . . . . .						V72914			01
87	65-0916-3-430	.. LIGHT ASSY-INDICATOR INVERTER INOP . . . . .						V72914	0001	0083	01
- 88	25-0890-430	.. FILTER . . . . .						V72914			01
- 89	65-0916-3-508	.. LIGHT ASSY-INDICATOR BETA REFER TO NOTE 2 . . . . .							0140	0499	01
									B0205	B1999	
- 90	25-0890-508	.. FILTER-BETA REFER TO NOTE 2 . . . . .							0140	& ON	01
91	65-0916-3-509	.. LIGHT ASSY-INDICATOR GENERATOR OVERHEAT . . . . .							0146	& ON	01
									B0180	& ON	
- 92	25-0890-509	.. FILTER-GENERATOR OVERHEAT . . . . .						V72914			01
93	65-0916-3-388	.. LIGHT ASSY-INDICATOR BATTERY OVERHEAT . . . . .						V72914			01
- 94	25-0890-388	.. FILTER . . . . .						V72914	0001	0499	01 R
95	65-0916-3-436	.. LIGHT ASSY-INDICATOR BATTERY HOT . . . . .						V72914			01
- 96	25-0890-436	.. FILTER . . . . .						V72914	0001	0499	01 R
97	65-0916-3-437	.. LIGHT ASSY-INDICATOR VOLTAGE LOW . . . . .						V72914			01
- 98	25-0890-437	.. FILTER . . . . .						V72914			01
99	65-0916-3-428	.. LIGHT ASSY-INDICATOR VACUUM LOW . . . . .						V72914			01
- 100	25-0890-428	.. FILTER . . . . .						V72914			01
101	65-0916-3-407	.. LIGHT ASSY-INDICATOR RSVR FUEL LOW . . . . .						V72914			01
- 102	25-0890-407	.. FILTER . . . . .						V72914			01
103	65-0916-3-393	.. LIGHT ASSY-INDICATOR LEFT FUEL LOW . . . . .						V72914			01
- 104	25-0890-393	.. FILTER . . . . .						V72914			01
- 105	65-0916-3-394	.. LIGHT ASSY-INDICATOR RIGHT FUEL LOW . . . . .						V72914			01
- 106	25-0890-394	.. FILTER . . . . .						V72914			01
107	65-0916-3-441	.. LIGHT ASSY-INDICATOR DOOR WARNING . . . . .						V72914			01
- 108	25-0890-441	.. FILTER . . . . .						V72914			01
109	65-0916-3-507	.. LIGHT ASSY-INDICATOR FUEL SELECT OFF REFER TO NOTE 1 . . . . .						V72914	0106	& ON	01
									B0001	& ON	
- 110	25-0890-507	.. FILTER-FUEL SELECT OFF . . . . .						V72914			01
- 110A	25-0890-89	.. FILTER-BLANK . . . . .						V72914			AR
- 111	S234050	.. CONNECTOR-ANNUNCIATOR PANEL . . . . .									01
- 112	DD20964	.. JUNCTION SHELL . . . . .						V71468			01
- 112A	M85049/48-2-5F	.. STRAIN RELIEF ALT FOR DD20964 . . . . .									01
- 113	D20420-12	.. LOCKSCREW ASSY . . . . .						V71468			01

NOTE 1—AIRPLANES -0106 AND ON AND -0001 THRU -0105 INCORPORATING SK208-20

NOTE 2—USED ON BRAZILIAN CERTIFIED AIRPLANES.

CESSNA®  
**MODEL 208**  
 ILLUSTRATED PARTS CATALOG

A24884



26181028  
 A26181029  
 B26181030

CIRCUIT BREAKER PANEL LIGHTING INSTALLATION  
 FIGURE 03 (SHEET 1)



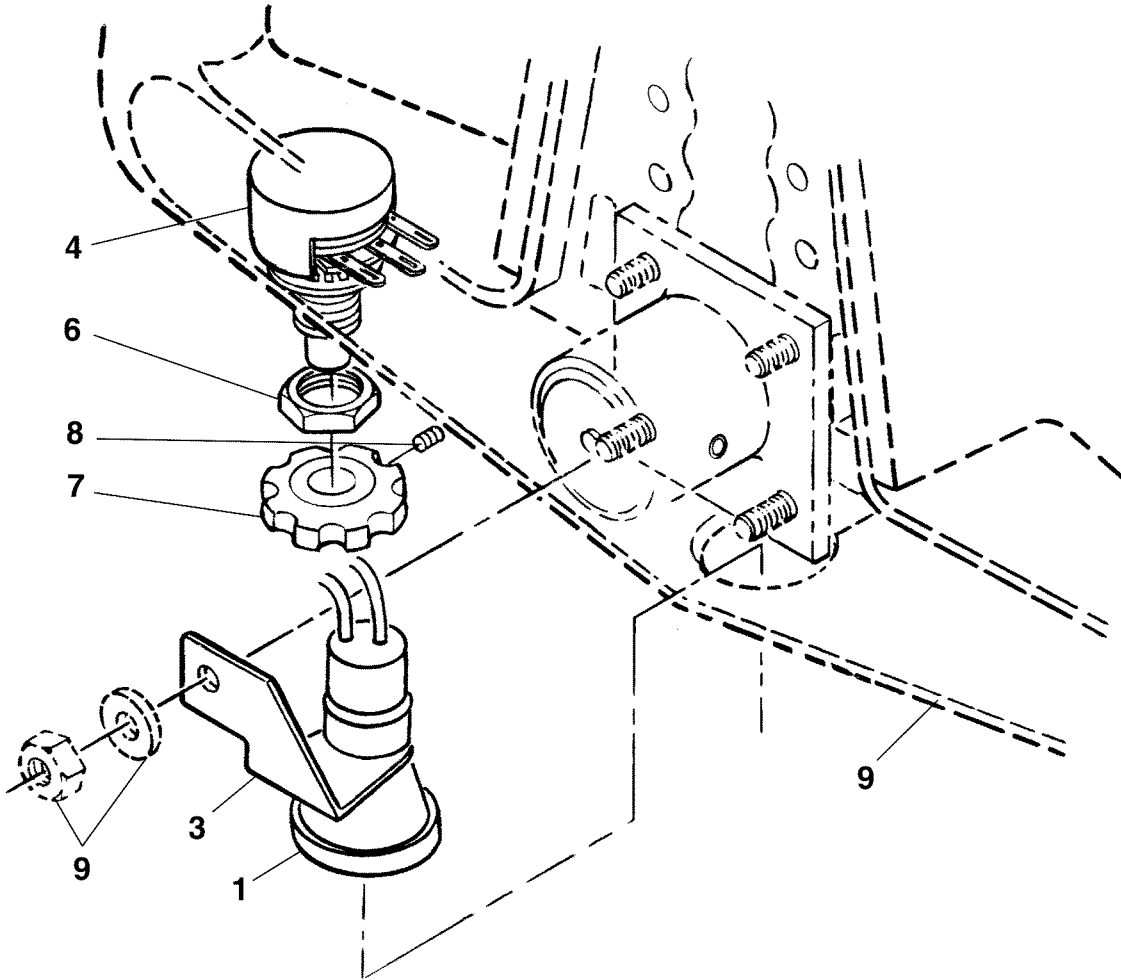
CESSNA®  
**MODEL 208**  
 ILLUSTRATED PARTS CATALOG

FIG ITEM	PART NUMBER	NOMENCLATURE	UNITS PER ASSY		
			1	2	3
03		CIRCUIT BREAKER PANEL LIGHTING INSTALLATION			RF
-					
- 1	2613347-1	. LIGHT ASSY-CIRCUIT BREAKER PANEL . . . . .	0001	0499	01
			B0001	B1999	
- 1A	2613043-1	. LIGHT ASSY-CIRCUIT BREAKER PANEL . . . . .	0500	& ON	01 R
			B2000	B4999	
		ATTACHING PARTS			
2	MS35206-244	. SCREW . . . . .	0001	0499	02
			B0001	B1999	
- 2A	MS35206-243	. SCREW . . . . .	0500	& ON	02
			B2000	B4999	
3	MS20364-832C	. NUT . . . . .	0001	0499	01
			B0001	B1999	
		—*—			
4	MS25027-4	. . LIGHT ASSY-CIRCUIT BREAKER PANEL . . . . .			01
- 4A	MS25027-4	. . LIGHT ASSY-CIRCUIT BREAKER PANEL FC007 . . . . .	0500	& ON	01
			B2000	B4999	
- 4B	MS25027-4	. . LIGHT ASSY-CIRCUIT BREAKER PANEL FC012 . . . . .	0500	& ON	01
			B2000	B4999	
		ATTACHING PARTS			
5	MS35206-228	. . SCREW . . . . .			02
6	NAS1022N06	. . NUT . . . . .	0001	0499	02
			B0001	B1999	
		—*—			
7	2613346-2	. . PLATE-LIGHT MOUNT . . . . .	0155	0499	01
			B0180	B1999	
- 7A	2613042-1	. . BRACKET ASSY-LH CB LIGHT . . . . .	0500	& ON	01 R
			B2000	B4999	
- 7B	MS21051-06	. . . NUTPLATE . . . . .			04
8	MS25231-313	. BULB-CIRCUIT BREAKER PANEL LIGHT . . . . .			01
9	MS25027-4	. LIGHT ASSY-CIRCUIT BREAKER PANEL . . . . .			01
		ATTACHING PARTS			
10	MS35214-25	. SCREW . . . . .			02
		—*—			
11	S2244-1	. BULB-CIRCUIT BREAKER PANEL LIGHT . . . . .			01

- ITEM NOT ILLUSTRATED

CESSNA®  
**MODEL 208**  
ILLUSTRATED PARTS CATALOG

A24885



2618X1153

MAPLIGHT - CONTROL WHEEL  
FIGURE 04 (SHEET 1)

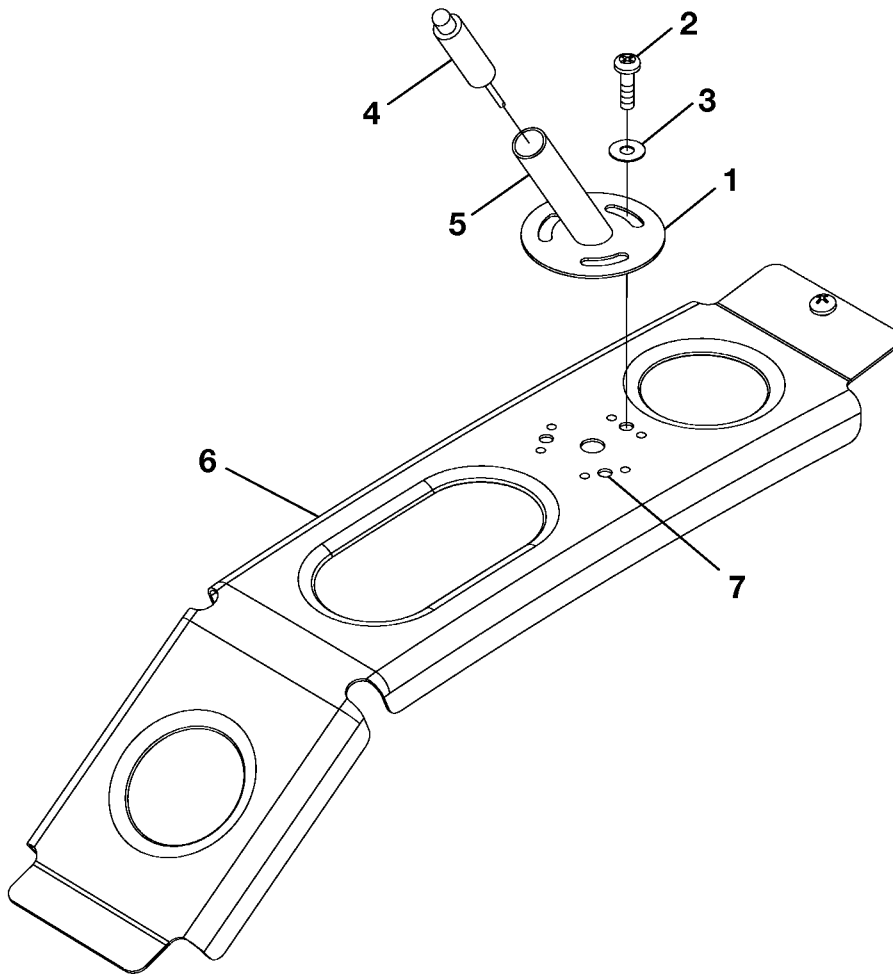
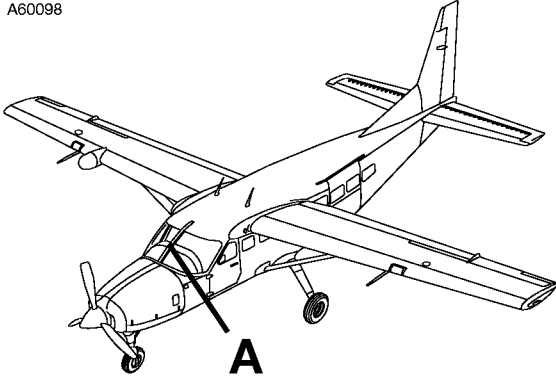
CESSNA®  
**MODEL 208**  
 ILLUSTRATED PARTS CATALOG

FIG ITEM	PART NUMBER	NOMENCLATURE							UNITS PER ASSY
		1	2	3	4	5	6	7	
04		MAPLIGHT - CONTROL WHEEL							RF R
-		. SOCKET							01
1	S2521-1	. LAMP-CONTROL WHEEL MAPLIGHT V80204							01
- 2	24RB	. BRACKET-CONTROL WHEEL MAPLIGHT							01
3	1270843-3	. POTENTIOMETER-MAPLIGHT							01
4	S2619-1	ATTACHING PARTS							01
- 5	MS35333-42	. WASHER BETWEEN POTENTIOMETER & WHEEL							01
6	MS25082-20	. NUT							01
		—*—							
7	1270483-2	. KNOB ASSY-MAPLIGHT POTENTIOMETER							01
		ATTACHING PARTS							
8	AN565B2H3	. SETSCREW							01
		—*—							
9		. CONTROL WHEEL ASSY REFER TO 27-10-01 FIGURE 02							RF

- ITEM NOT ILLUSTRATED

CESSNA®  
**MODEL 208**  
ILLUSTRATED PARTS CATALOG

A60098



**DETAIL A**

2610T7005  
A2618T1408

WINDSHIELD ICE INDICATOR LIGHT INSTALLATION  
FIGURE 05 (SHEET 1)

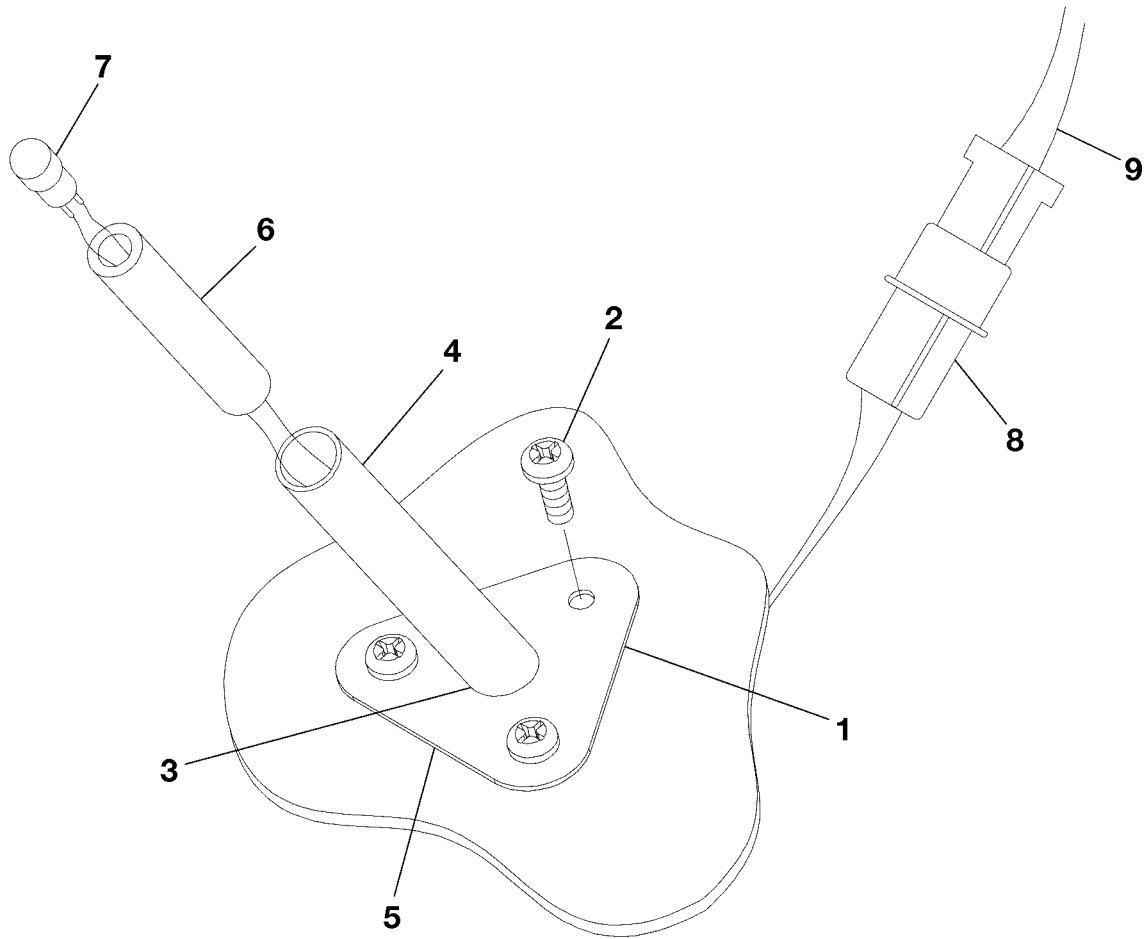
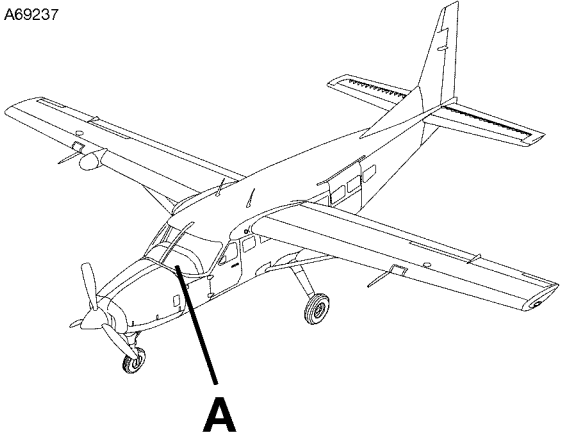
CESSNA®  
**MODEL 208**  
 ILLUSTRATED PARTS CATALOG

FIG ITEM	PART NUMBER	NOMENCLATURE	UNITS PER ASSY		
			1	2	3
05					
-		WINDSHIELD ICE INDICATOR LIGHT INSTALLATION			RF
1	2601483-2	. ICE INDICATOR ASSY FSO 2601483-12 . . . . .	0382	0395	NP
- 1A	2601483-12	. ICE INDICATOR ASSY-REFER TO NOTE 1 . . . . .	B1088	B1167	01
		ATTACHING PARTS			
2	MS35206-232	. SCREW . . . . .	0382	0395	03 R
- 2A	MS35206-230	. SCREW-REFER TO NOTE 1 . . . . .	B1088	B1167	03
3	NAS1149FN616P	. WASHER . . . . .	0382	0395	03
4	6208031-48	. . . WBA-ICE DETECT LIGHTS . . . . .	0382	0499	01
- 4A	BEP62RBL	. . . LIGHT ASSY . . . . .	0505	& ON	
			B1088	& ON	
5	6214116-3	. . INSULATOR . . . . .	0382	0499	01
6	2601483-7	. STIFFENER ASSY FSO 2601483-10 . . . . .	0505	& ON	
- 6A	2601483-10	. STIFFENER ASSY-REFER TO NOTE 1 . . . . .	B1088	& ON	01
7	MS21069L06	. . NUTPLATE . . . . .	0382	& ON	01
			B1087	& ON	03

NOTE 1—AIRPLANES -0001 THRU -0381 AND -B0001 THRU -B1086 INCORPORATING SK208-146.

CESSNA®  
**MODEL 208**  
ILLUSTRATED PARTS CATALOG

A69237



**DETAIL A**

TKS WINDSHIELD ICE DETECT LIGHT INSTALLATION  
FIGURE 06 (SHEET 1)

2610T7005  
A2614T1410

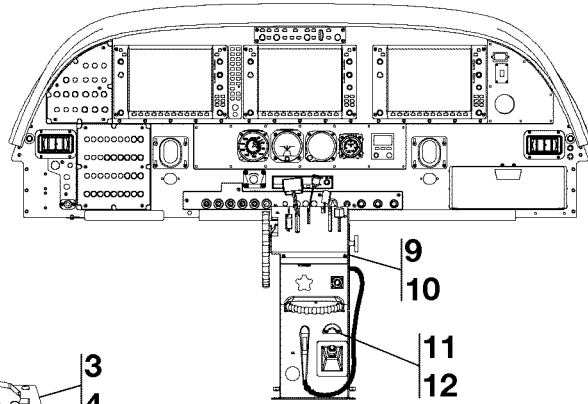
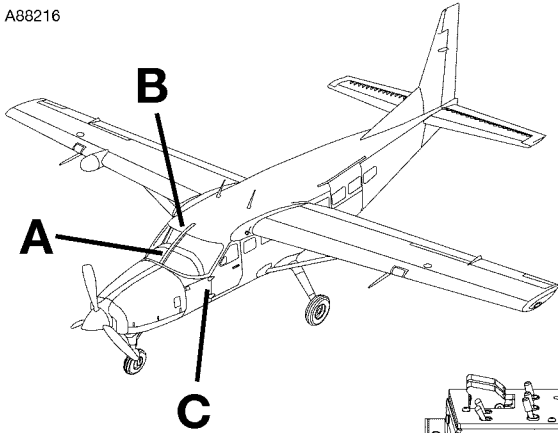
CESSNA®  
**MODEL 208**  
 ILLUSTRATED PARTS CATALOG

FIG ITEM	PART NUMBER	NOMENCLATURE	UNITS PER ASSY		
			1	2	3
06		TKS WINDSHIELD ICE DETECT LIGHT INSTALLATION	0500	& ON	RF
-			B2000	& ON	
1	2601527-2	. ICE DETECT ASSY . . . . .			01
		ATTACHING PARTS			
2	MS35206-228	. SCREW . . . . .			03
		—*			
3	2601527-3	. . MOUNT WELD ASSY . . . . .			01
4	2601527-4	. . . MOUNT TUBE . . . . .			01
5	2601527-5	. . . PLATE . . . . .			01
6	2601527-6	. . . INSULATOR . . . . .			01
7	6208031-48	. . WBA-ICE DETECTION LIGHTS F1001 . . . . .			01 R
8	2677123-2	. . WBA-ICE DETECT LIGHT SMASSY . . . . .			01 R
9	2677123-1	. WIRE ASSY-WINDSHIELD ICE DETECTION . . . . .			01 R

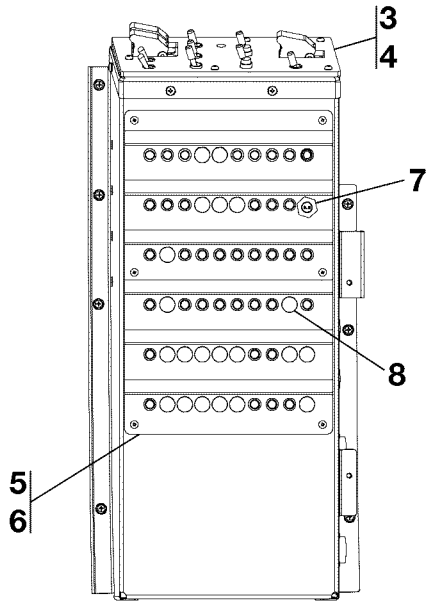
- ITEM NOT ILLUSTRATED

CESSNA®  
**MODEL 208**  
 ILLUSTRATED PARTS CATALOG

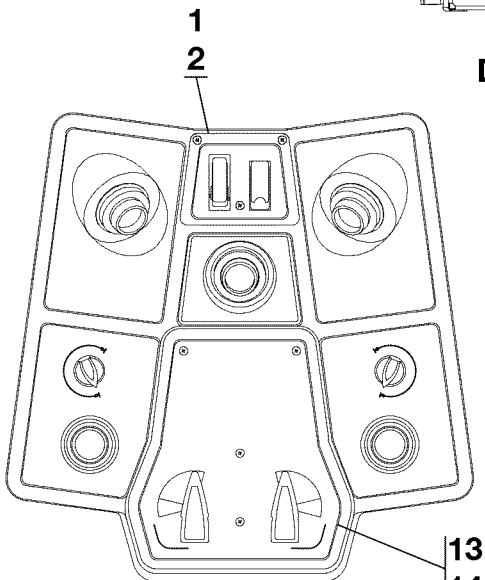
A88216



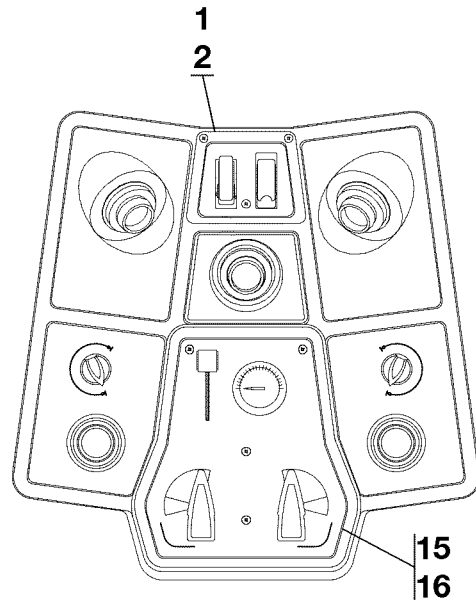
**DETAIL A**



**DETAIL C**



**DETAIL B**  
 WITHOUT OXYGEN



**DETAIL B**  
 WITH OXYGEN

LED PANELS  
 FIGURE 01 (SHEET 1)

2610T7005  
 A2614T1467  
 B2614T1467  
 C2614T1467



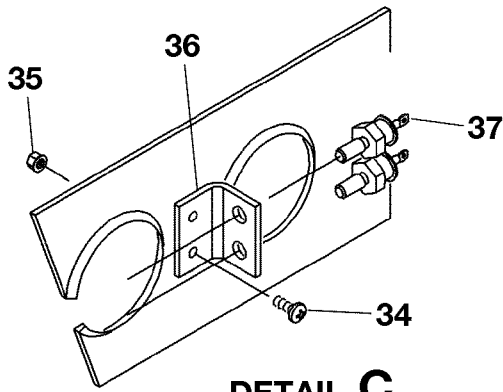
CESSNA®  
**MODEL 208**  
 ILLUSTRATED PARTS CATALOG

FIG ITEM	PART NUMBER	NOMENCLATURE	UNITS PER ASSY			
			1	2	3	4
01		LED PANELS				
-			B5000	& ON	RF	
1	9910643-1	. LED PANEL-STANDBY FLAPS UC012 . . . . . ATTACHING PARTS				01
2	CM3558-4-8G2	. SCREW . . . . . —*—				03
3	9910642-1	. LED PANEL-LH SIDEWALL SWITCHES UC016 . . . . . ATTACHING PARTS				01
4	CM3558-4-8G2	. SCREW . . . . . —*—				05
5	9910641-2	. LED PANEL-LH SIDEWALL CIRCUIT BREAKERS UC015 . . . . . ATTACHING PARTS				01
6	CM3558-4-8G2	. SCREW . . . . .	B5000	B5018	06	R
			B5020	B5033		
			B5036	B5038		
			B5046	& ON		
- 6A	CM3558-4-10G2	. SCREW . . . . .	B5019	B5019	06	R
			B5034	B5035		
			B5039	B5045		
		—*—				
7	2613407-1	. GUARD . . . . .				01
8	CM2692-15S1S	. PLUG BUTTON . . . . .				AR
9	9910640-4	. LED PANEL-THROTTLE UC019 . . . . . ATTACHING PARTS				01
10	CM3558-4-12G2	. SCREW . . . . . —*—				08
11	2670189-1	. COVER . . . . .	B5000	B5184	01	
- 11A	2613278-1	. COVER . . . . . ATTACHING PARTS	B5185	& ON	01	
12	MS35206-238	. SCREW . . . . . —*—				02
13	9910644-1	. LED PANEL-FUEL SELECTOR WITHOUT OXYGEN UC013 . . . . . ATTACHING PARTS				01
14	CM3558-4-8G2	. SCREW . . . . . —*—				04
15	9910644-2	. LED PANEL-FUEL SELECTOR WITH OXYGEN UC014 . . . . . ATTACHING PARTS				01
16	CM3558-4-8G2	. SCREW . . . . . —*—				04

- ITEM NOT ILLUSTRATED

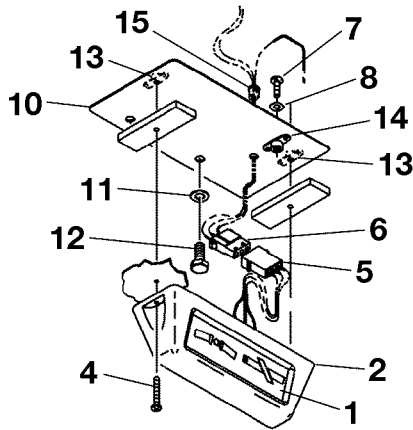
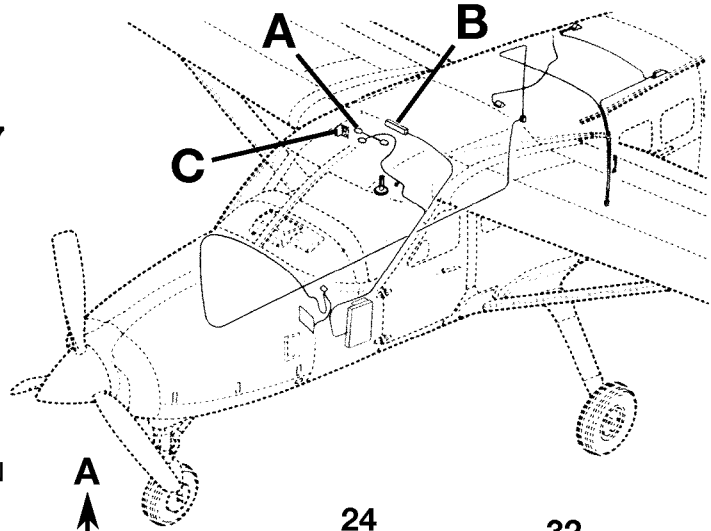
CESSNA®  
**MODEL 208**  
 ILLUSTRATED PARTS CATALOG

A24886



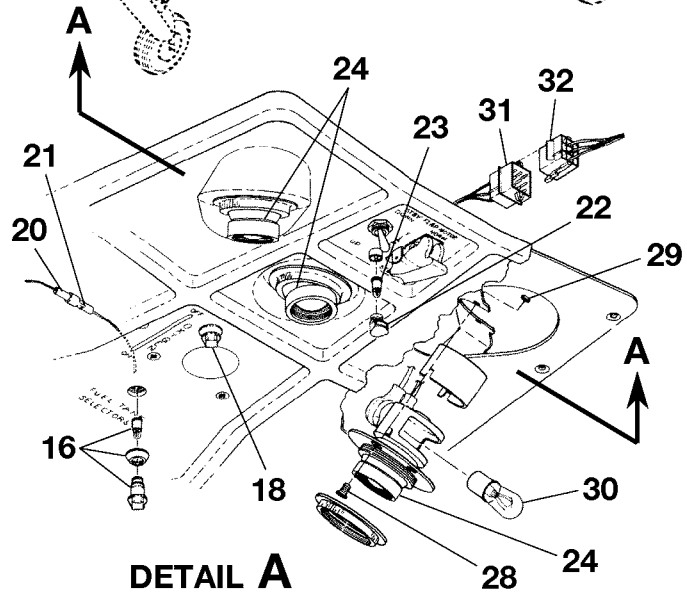
**DETAIL C**

BRITISH CERTIFIED  
 AIRPLANES 20800224 AND ON



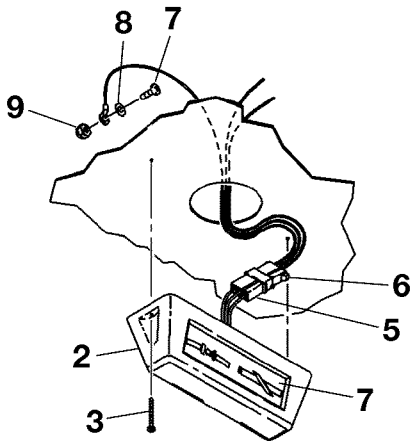
**DETAIL B**

AIRPLANES 208B0214 AND ON



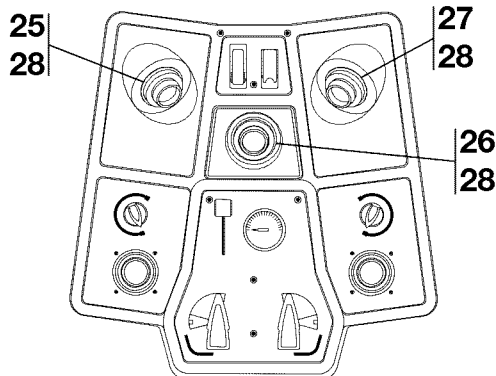
**DETAIL A**

AIRPLANES 2080001 AND ON AND  
 AIRPLANES 208B0001 TO 208B4999



**DETAIL B**

AIRPLANES 2080001 AND ON



**VIEW A-A**

AIRPLANES 208B5000 AND ON

2618R1143  
 A2618R8003  
 AA2618T1471  
 B2618R1019  
 B2614R1122A  
 C2618R1068

CABIN LIGHTING INSTALLATION  
 FIGURE 01 (SHEET 1)

**CESSNA®**  
**MODEL 208**  
**ILLUSTRATED PARTS CATALOG**

FIG ITEM	PART NUMBER	NOMENCLATURE	UNITS PER ASSY		
			1	2	3
01		CABIN LIGHTING INSTALLATION			RF
-					
1	9002-03	. GRAPHIC SIGN-NO SMOKING/FASTEN SEAT BELTS ALT FOR 100-9042-03 . V8N273	0001	0362	01 R
			B0214	B1046	
- 1A	9002-1	. . LIGHT BAR . . . . . V8N273			02
- 1B	121-0026	. . LAMP ASSY ALT FOR 9002-1 . . . . . V8N273			02
- 1C	100-9042-03	. GRAPHIC SIGN-LED NO SMOKING/FASTEN SEAT BELTS ALT FOR 9002-03 . . . . . V8N273	0373	0499	01 R
			B1047	B1999	
- 1D	2615127-6	. CABIN SIGN ASSY . . . . .	0500	& ON	01
			B2000	& ON	
- 1E	100-9042-03	. . GRAPHIC SIGN-LED NO SMOKING/FASTEN SEAT BELTS . . . . . V8N273	0500	& ON	01
			B2000	& ON	
- 1F	2677177-3	. . WBA-NO SMOKE SIGN . . . . .	0500	& ON	01
			B2000	& ON	
2	2615033-1	. ESCUTCHEON ASSY-NO SMOKING/FASTEN SEAT BELT . . . . .			01
		ATTACHING PARTS			
3	MS35206-221	. SCREW . . . . .	0001	& ON	02
4	MS35206-234	. SCREW-PASSENGER VERSION . . . . .	B0214	& ON	02
		—*—			
5	S1638-2	. CAP . . . . .			01
6	S1638-1	. PLUG . . . . .			01
7	MS35206-245	. SCREW GROUND WIRE . . . . .			01
8	NAS1149FN816P	. WASHER GROUND WIRE . . . . .			01
9	MS21044N08	. NUT GROUND WIRE . . . . .	0001	& ON	01
10	2615127-2	. SUPPORT ASSY-CABIN SIGN . . . . .	B0214	& ON	01
		ATTACHING PARTS			
11	NAS1149F0463P	. WASHER . . . . .	B0214	& ON	02
12	AN4-5A	. BOLT . . . . .	B0214	& ON	02
		—*—			
13	MS21047L06	. . NUTPLATE . . . . .	B0214	& ON	02
14	MS21047L08	. . NUTPLATE . . . . .	B0214	& ON	01
15	S1291-2	. GROMMET . . . . .	B0214	& ON	01
- 15A	S1291-2	. GROMMET . . . . .	0001	& ON	01
16	S1873-1	. LIGHT-FUEL TANK SELECTORS . . . . .	0001	& ON	01
			B0001	B4999	
- 17	S3368-2	. LAMP-FUEL TANK SELECTOR LIGHT . . . . . V81590	0001	& ON	01
			B0001	B4999	
18	S1873-1	. LIGHT-OXYGEN CONTROL . . . . .	0001	& ON	01
			B0001	B4999	
- 19	S3368-2	. LAMP-OXYGEN CONTROL LIGHT . . . . . V81590	0001	& ON	01
			B0001	B4999	
20	03-12-1016	. RECEPTACLE . . . . . V27264			02
21	03-12-2016	. PLUG . . . . . V27264			02
22	2670067-1	. POST LIGHT ASSY-FLAP SWITCHES FC003 . . . . .	0224	& ON	01
			B0730	B4999	
23	S3368-2	. . LAMP-POST LIGHT . . . . .			01
24	2585	. CHART LIGHT FSO RL6843 . . . . . V83564	0001	& ON	NP
			B0001	B4999	
- 24A	RL6843	. CHART LIGHT . . . . . V83564	0001	& ON	01
			B0001	B4999	
25	RL6936	. CHART LIGHT-LED FC016 . . . . . V1XE65	B5000	& ON	01
26	RL6936	. CHART LIGHT-LED FC017 . . . . . V1XE65	B5000	& ON	01
27	RL6936	. CHART LIGHT-LED FF003 . . . . . V1XE65	B5000	& ON	01
		ATTACHING PARTS			
28	MS24693-S48	. SCREW . . . . .			08
29	MS20364-832C	. NUT . . . . .	0001	0228	08
			B0001	B0089	
		—*—			
30	1308	. . BULB-CHART LIGHTS . . . . . V08806			01
- 30A	998502-15	. . BULB-CHART LIGHTS HALOGEN ALT FOR 3833-4 . . . . . V1XE65			01
- 30B	3833-4	. . BULB-CHART LIGHTS HALOGEN ALT FOR 998502-15 . . . . . V83564			01
31	S1640-9	. HOUSING-PIN OVERHEAD LIGHTS . . . . .			01
32	S1641-9	. HOUSING-SOCKET OVERHEAD LIGHTS . . . . .			01
- 33	5219168-5	. DIODE ASSY-OVERHEAD LIGHTING REFER TO NOTE 1 . . . . .	0224	& ON	01
		ATTACHING PARTS			
34	MS35206-228	. SCREW . . . . .			02
35	MS21042L06	. NUT . . . . .			02
		—*—			
36	5219168-6	. . DIODE MOUNT . . . . .			01
37	IN1201	. . DIODE . . . . .			02

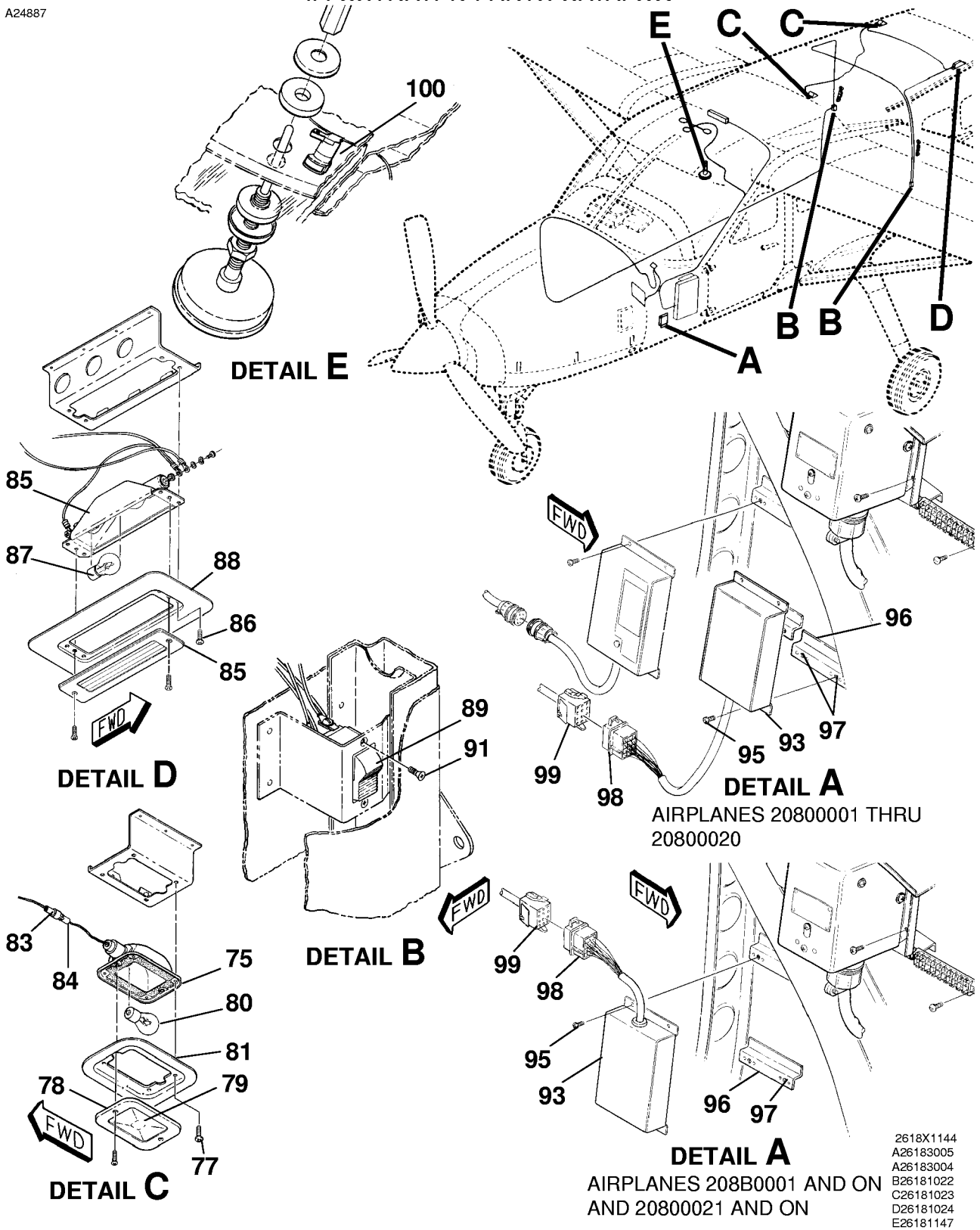
NOTE 1—USED ON BRITISH CERTIFIED AIRPLANES

- ITEM NOT ILLUSTRATED

CESSNA®  
MODEL 208

ILLUSTRATED PARTS CATALOG

A24887



AIRPLANES 2080001 THRU  
2080020

AIRPLANES 208B0001 AND ON  
AND 20800021 AND ON

- 2618X1144
- A26183005
- A26183004
- B26181022
- C26181023
- D26181024
- E26181147

CABIN LIGHTING INSTALLATION  
FIGURE 01 (SHEET 2)

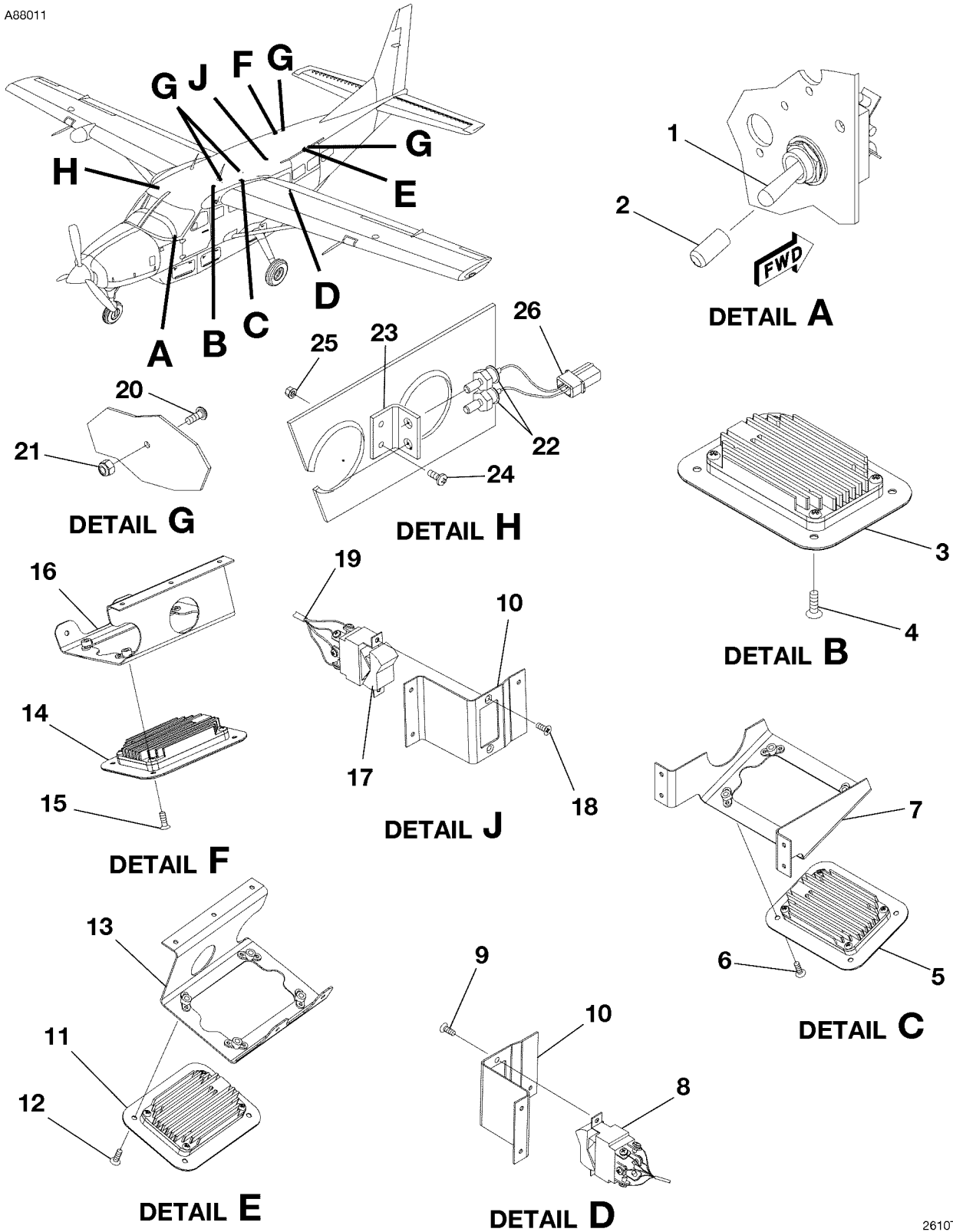
**CESSNA®**  
**MODEL 208**  
**ILLUSTRATED PARTS CATALOG**

FIG ITEM	PART NUMBER	NOMENCLATURE	UNITS			
			PER ASSY			
01						
75	B3550	. DOME LIGHT-PASSENGER DOOR AND CABIN . . . . . V72914	0001	0499	02	
- 76	B3550	. DOME LIGHT-CABIN . . . . . V72914	B0001	B0179	03	
- 76A	B-3550	. DOME LIGHT-CABIN . . . . . V72914	B0180	B1999	03	
- 76B	01-0770142-06	. LIGHT ASSEMBLY-CABIN ALT FOR B3550 . . . . . V10402	0500	& ON	AR	
			B2000	B4999		
		ATTACHING PARTS				
77	MS35206-231	. SCREW . . . . .				04
		—*—				
78	GMCA3553	. . RETAINER . . . . . V72914				01
79	A3551	. . LENS . . . . . V72914				01
80	MS35478-307	. LAMP-PASSENGER DOOR AND CABIN LIGHT . . . . .				02
81	2615066-1	. ESCUTCHEON-OVERHEAD LIGHT . . . . .	0001	& ON	01	
- 82	2615066-1	. ESCUTCHEON-OVERHEAD LIGHT . . . . .	B0001	B5186	02	
83	03-12-1016	. RECEPTACLE . . . . . V27264				02
84	03-12-2016	. PLUG . . . . . V27264				02
85	30555-1	. LIGHT ASSY-CARGO DOOR . . . . . V72914				01
		ATTACHING PARTS				
86	MS35206-231	. SCREW . . . . .				04
		—*—				
87	MS35478-307	. LAMP-CARGO DOOR LIGHT . . . . .				02
88	2615065-1	. ESCUTCHEON-CARGO DOOR LIGHT . . . . .	0001	& ON	01	
89	S1238-2-1	. SWITCH-CARGO DOOR/PASSENGER DOOR AND CABIN LIGHT . . . . .	0001	& ON	02	
- 90	S1238-2-1	. SWITCH-CARGO DOOR AND CABIN LIGHTS . . . . .	B0001	& ON	01	
		ATTACHING PARTS				
91	MS24693-S26	. SCREW . . . . .				02
		—*—				
- 92		. TIMER INSTALLATION-CABIN/COURTESY LIGHTS . . . . .	0001	0499	RF	
			B0001	B4999		
93	LC150	. . TIMER LITE-CABIN/COURTESY LIGHTS . . . . . V64817				01
- 94	8810	. . CABIN LIGHT TIMER /COURTESY LIGHTS ALT FOR LC150 . . . . . V5Y111				01
		ATTACHING PARTS				
95	MS35207-263	. . SCREW . . . . .				04
		—*—				
96	2601118-2	. . BRACKET ASSY-TIMER . . . . .				02
97	MS21047L3	. . . NUTPLATE . . . . .				02
98	S1640-12	. . HOUSING-PIN . . . . .				01
99	S1641-12	. . HOUSING-SOCKET . . . . .				01
100	S1899-4	. . LIGHT ASSY-OAT GAGE . . . . .				01
- 101	S3368-2	. . LAMP-POSTLIGHT . . . . .				01

- ITEM NOT ILLUSTRATED

CESSNA®  
**MODEL 208**  
 ILLUSTRATED PARTS CATALOG

A88011



CABIN LIGHTING INSTALLATION  
 FIGURE 01A (SHEET 1)

2610T7004  
 A-J2619T1179

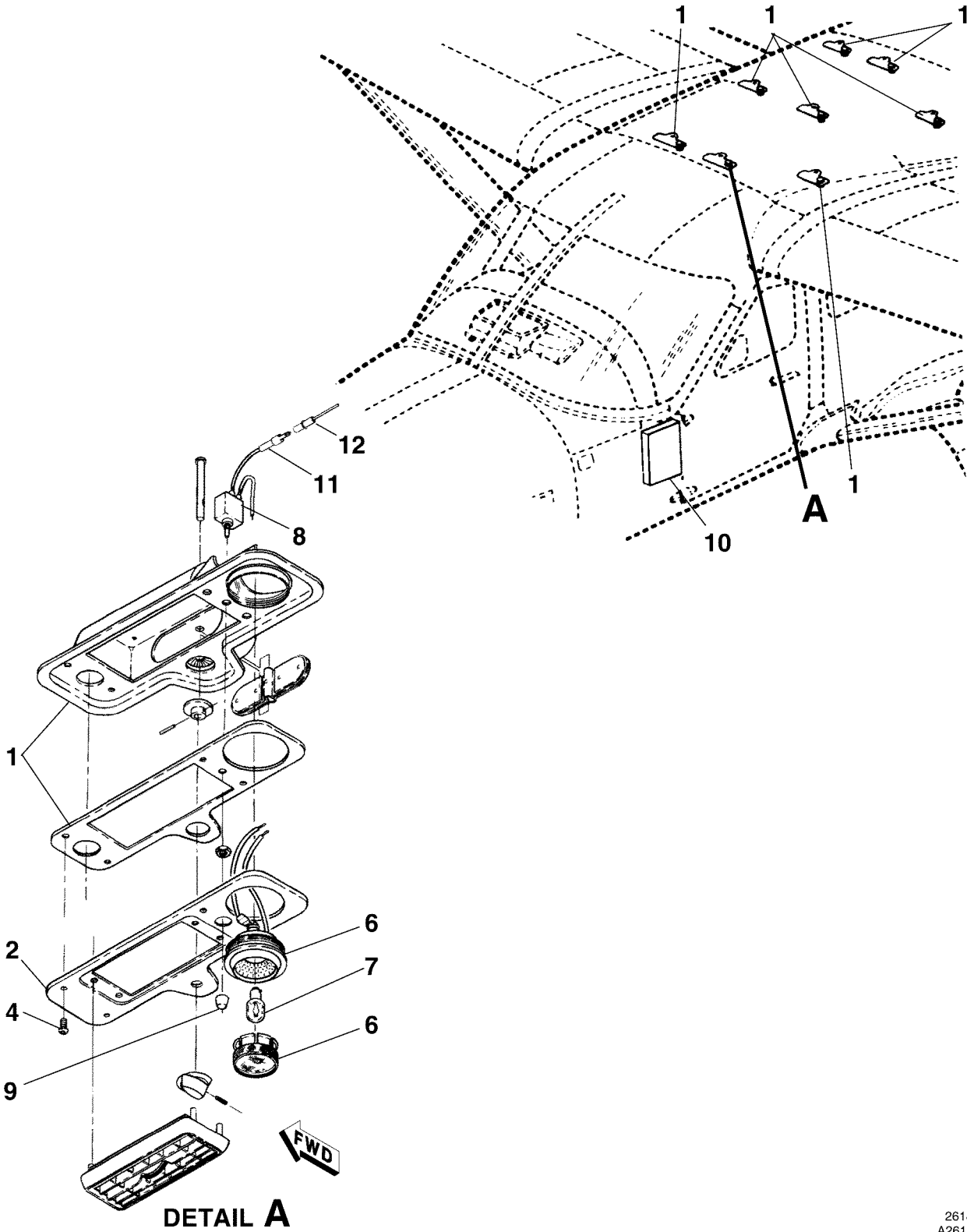
CESSNA®  
**MODEL 208**  
 ILLUSTRATED PARTS CATALOG

FIG ITEM	PART NUMBER	NOMENCLATURE	1 2 3 4 5 6 7							UNITS PER ASSY	
			1	2	3	4	5	6	7		
01A		CABIN LIGHTING INSTALLATION								B5000 & ON	RF
-											
1	S382-3	. SWITCH SI020									01
2	S2742-10	. TIP SI020									01
3	BGL200-01	. BAGGAGE DOME LIGHT FC013							V0GZF3		01
		ATTACHING PARTS									
4	MS24693-C27	. SCREW									02
		—*—									
5	BGL200-01	. BAGGAGE DOME LIGHT FC014							V0GZF3		01
		ATTACHING PARTS									
6	MS24693-C27	. SCREW									02
		—*—									
7	2611189-8	. BRACKET ASSY									01
8	S1238-2-1	. SWITCH SZ022									01
		ATTACHING PARTS									
9	MS24693-S26	. SCREW									02
		—*—									
10	2611189-7	. BRACKET									02
11	BGL200-01	. BAGGAGE DOME LIGHT FC015							V0GZF3		01
		ATTACHING PARTS									
12	MS24693-C27	. SCREW									02
		—*—									
13	2611189-10	. BRACKET ASSY									01
14	BGL200-01	. BAGGAGE DOME LIGHT FF002							V0GZF3		01
		ATTACHING PARTS									
15	MS24693-C27	. SCREW									02
		—*—									
16	2611189-10	. BRACKET ASSY									01
17	S1238-2-1	. SWITCH SZ002									01
		ATTACHING PARTS									
18	MS24693-S26	. SCREW									02
		—*—									
19	2677181-1	. WBA-PASS DOOR SWITCH-SMASSY ZF007									01
20	MS35207-263	. SCREW									04
21	MS21044N3	. NUT									04
22	IN1201	. DIODE									02 R
23	5219168-6	. DIODE MOUNT									01 R
		ATTACHING PARTS									
24	MS35206-228	. SCREW									02 R
25	MS21042L06	. NUT									02 R
		—*—									
26	2677280-2	. WBA-FLOOD LT DIOD-SMASSY REFER TO NOTE 1								B2138 & ON	19 R
		NOTE 1—USED ON STANDARD AND EASA CERTIFIED AIRPLANES									R

- ITEM NOT ILLUSTRATED

CESSNA®  
**MODEL 208**  
ILLUSTRATED PARTS CATALOG

A24888



PASSENGER READING LIGHT INSTALLATION  
FIGURE 02 (SHEET 1)

26181005  
A26183001



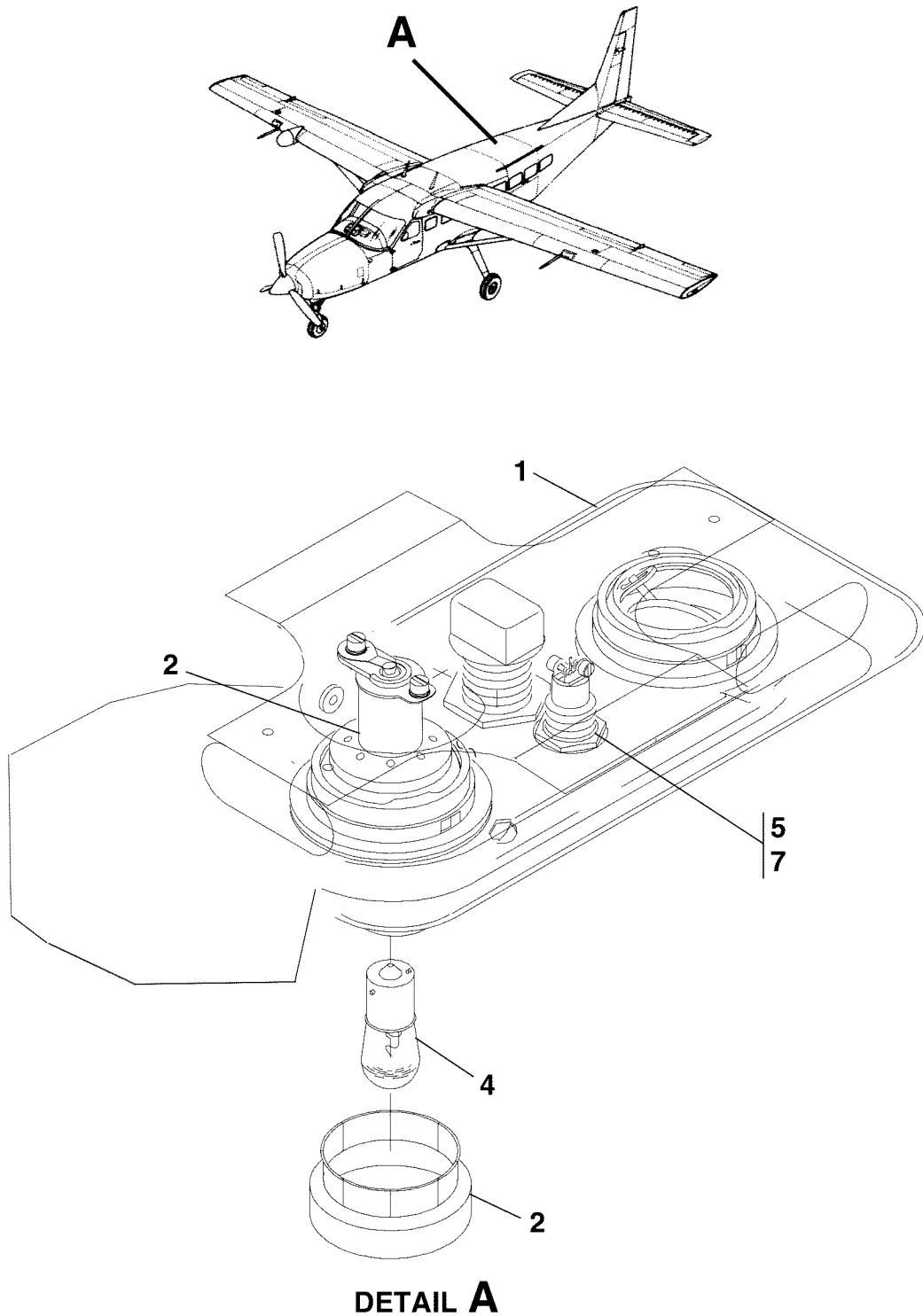
CESSNA®  
**MODEL 208**  
 ILLUSTRATED PARTS CATALOG

FIG ITEM	PART NUMBER	NOMENCLATURE	UNITS PER ASSY			
			1	2	3	
02		PASSENGER READING LIGHT INSTALLATION		0001	0207	RF R
-		. PLENUM ASSY WITH READING LIGHT AND VENT REFER TO 21-21-01				RF
1		. FIGURE 01 . . . . .				
2	2610020-88	. COVER ASSY READING LIGHTS . . . . .				08
- 3		. COVER ASSY WITH OXYGEN AND READING LIGHT REFER TO 35-10-01				RF
		. FIGURE 01 . . . . .				
		. ATTACHING PARTS				
4	MS35206-247	. SCREW . . . . .				04
		. *—				
- 5	C2437-035-4	. . CLIP . . . . .			V78553	04
- 5A	C2437-035-3B	. . CLIP ALT FOR C2437-035-4 . . . . .			V78553	04
6	2393	. LIGHT ASSY-PASSENGER READING . . . . .			V83564	08
7	1495	. . LAMP . . . . .			V08806	01
8	MB2065WW01	. SWITCH-READING LIGHT . . . . .			V81640	01
9	AT512CH	. KNOB . . . . .			V63426	01
10		. CIRCUIT BREAKER REFER TO 24-50-01 FIGURE 02 . . . . .				RF
11	S1637-1	. CONNECTOR-CAP . . . . .				01
12	S1637-2	. CONNECTOR-PLUG . . . . .				01

- ITEM NOT ILLUSTRATED

CESSNA®  
**MODEL 208**  
ILLUSTRATED PARTS CATALOG

A24889



PASSENGER READING LIGHT INSTALLATION  
FIGURE 03 (SHEET 1)

26107002  
A2614T1117

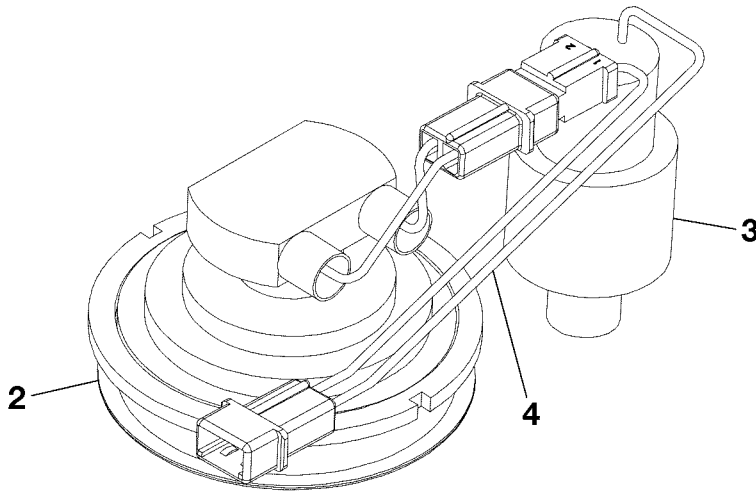
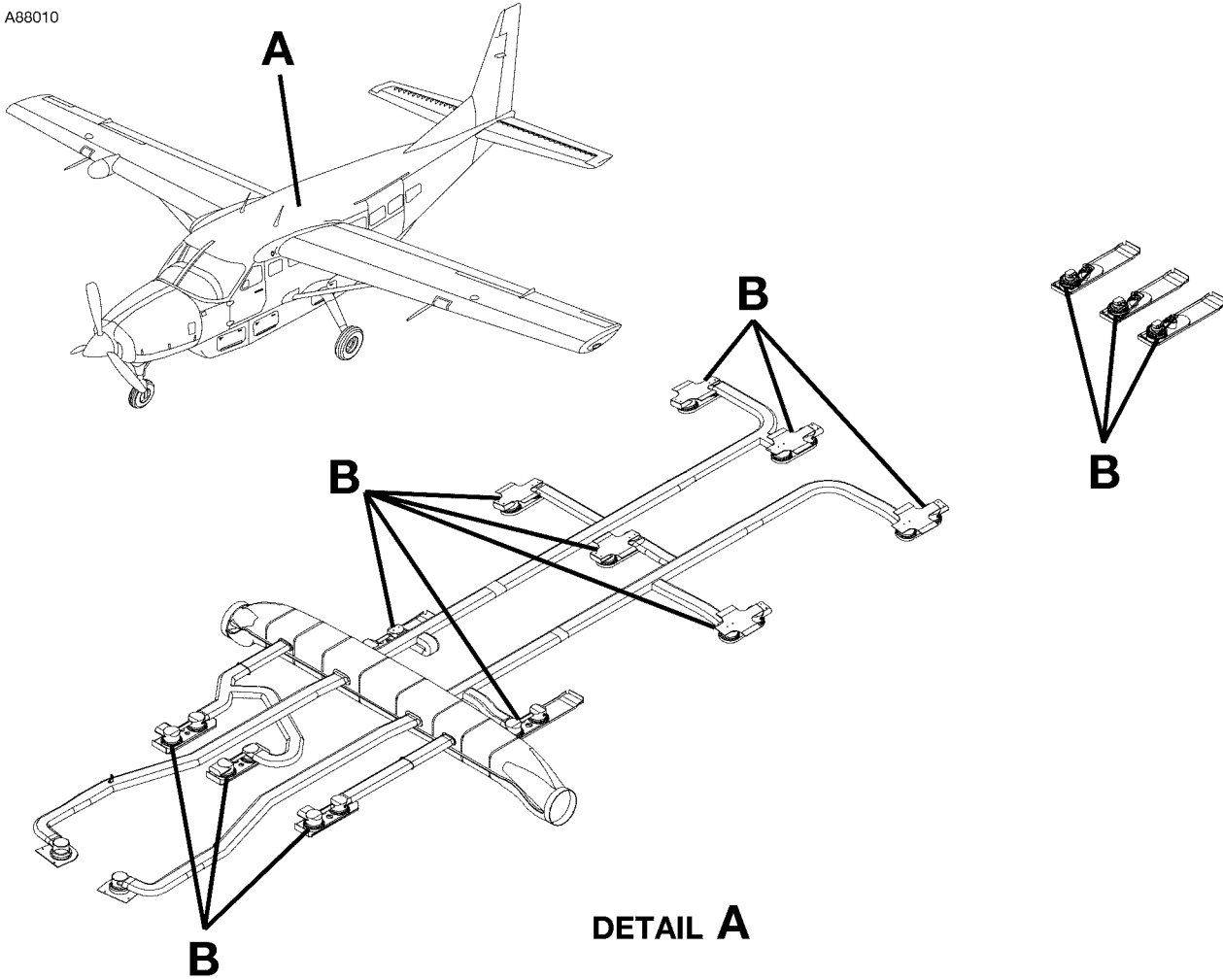
CESSNA®  
**MODEL 208**  
 ILLUSTRATED PARTS CATALOG

FIG ITEM	PART NUMBER	NOMENCLATURE	UNITS PER ASSY		
			1	2	3
03		PASSENGER READING LIGHT INSTALLATION REFER TO NOTE 1			
-			0208	& ON	RF
			B0214	B4999	
1		. OUTLET ASSY AND ESCUTCHEON REFER TO 21-21-03 FIGURE 02 . . . . .			RF
2	2510-05	. LIGHT ASSY-PASSENGER READING . . . . . V83564	0208	0395	08
- 2A	2510-05	. LIGHT ASSY-PASSENGER READING . . . . . V17744	0396	0499	11
			B0214	B1170	
- 2B	RL6826	. LIGHT ASSY-PASSENGER READING ALT FOR 2510-05 . . . . .	0208	0499	AR
			B0214	B1170	
- 2C	2510-05	. LIGHT ASSY . . . . . V17744	B1171	B1999	14
- 3	2670118-3	. LIGHT ASSY . . . . . V17744	0500	& ON	AR
			B2000	& ON	
- 3A	RL6826	. . READING LIGHT FZ001 . . . . .	0500	& ON	01
			B2000	& ON	
4	1308	. . BULB . . . . . V08806			01
5	52-2082	. RING-DRESS . . . . . V83564	B0214	& ON	11
- 6	52-2082	. RING-DRESS . . . . . V83564	0208	& ON	08
7	J20159	. SWITCH-PUSH BUTTON PASSENGER READING LIGHT . . . . . V81640	B0214	& ON	01
- 8	J20159	. SWITCH-PUSH BUTTON PASSENGER READING LIGHT . . . . . V81640	0208	& ON	08
- 9	S1093B47	. PLUG BUTTON-USED ON AIRCRAFT WITHOUT OXYGEN INSTALLED . . . . .			01 R

NOTE 1—AND AIRPLANES -0007 THRU -0112 CONVERTED FROM 208A

CESSNA®  
**MODEL 208**  
ILLUSTRATED PARTS CATALOG

A88010



**DETAIL B**  
TYPICAL

PASSENGER LED READING LIGHT INSTALLATION  
FIGURE 03A (SHEET 1)

2610T7004  
A2618T1473  
B2618T1473

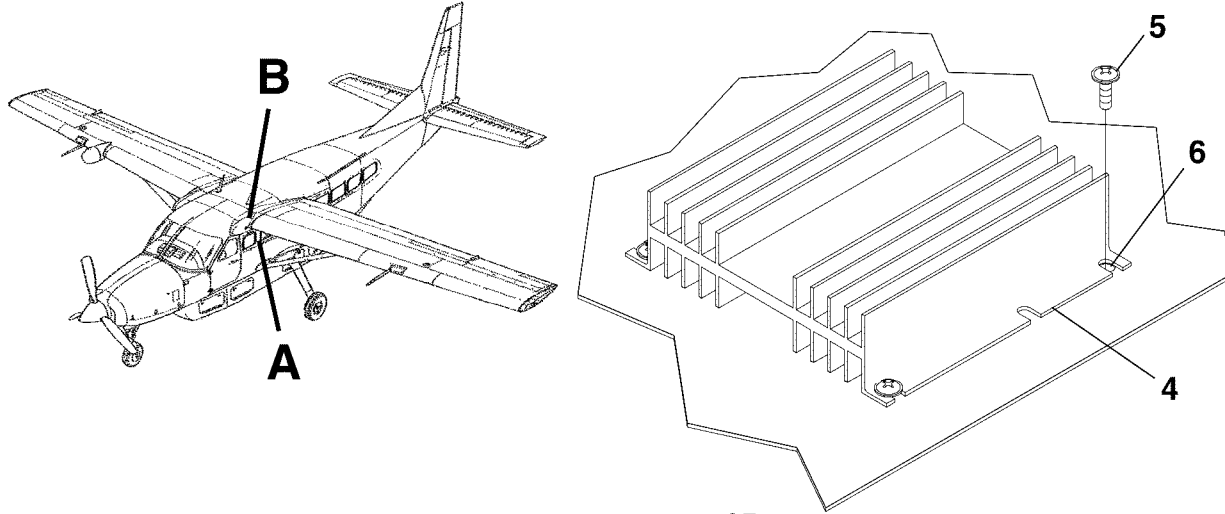
CESSNA®  
**MODEL 208**  
 ILLUSTRATED PARTS CATALOG

FIG ITEM	PART NUMBER	NOMENCLATURE	UNITS PER ASSY	
			1 2 3 4 5 6 7	
03A				
-		PASSENGER LED READING LIGHT INSTALLATION		B5000 & ON RF R
- 1	2618008-5	. LED READING LIGHT ASSY . . . . .		14 R
2	RL6966	. . READING LIGHT FZ003 . . . . . V1XE65		01 R
3	J20159	. . SWITCH-PUSH BUTTON SZ003 . . . . . V27193		01 R
4	2677185-1	. . WBA-READING LIGHT ASSEMBLY SMASSY . . . . .		01 R

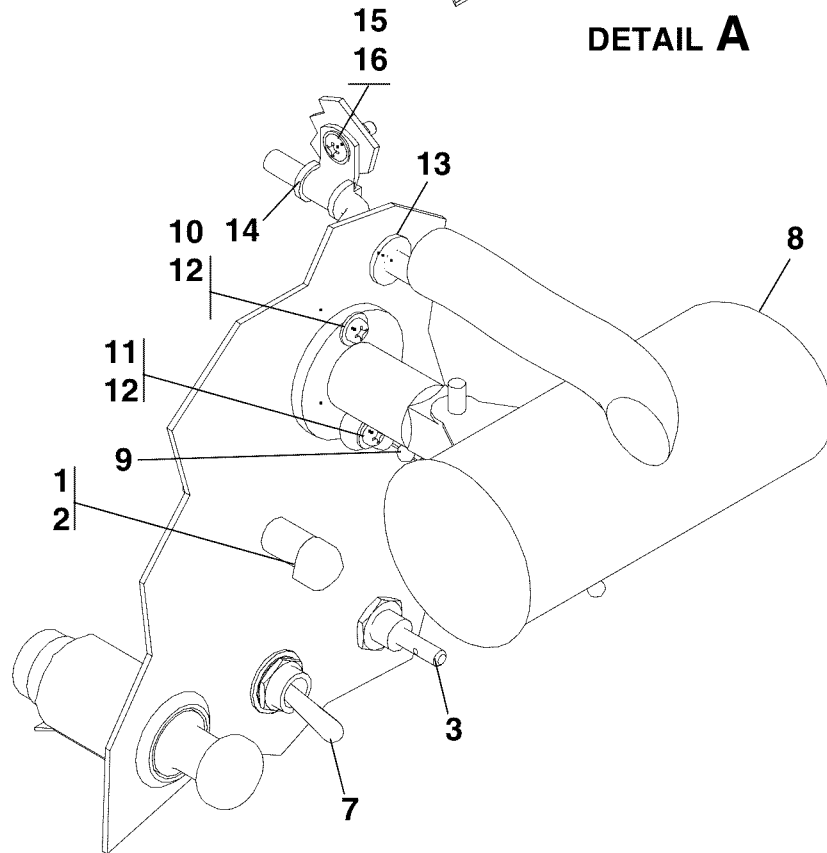
- ITEM NOT ILLUSTRATED

CESSNA®  
**MODEL 208**  
ILLUSTRATED PARTS CATALOG

A24890



**DETAIL A**



**DETAIL B**



26107004  
A2618T1312  
B2618T1313

PRIMARY AND SECONDARY CONSOLE LIGHTING INSTALLATION  
FIGURE 04 (SHEET 1)

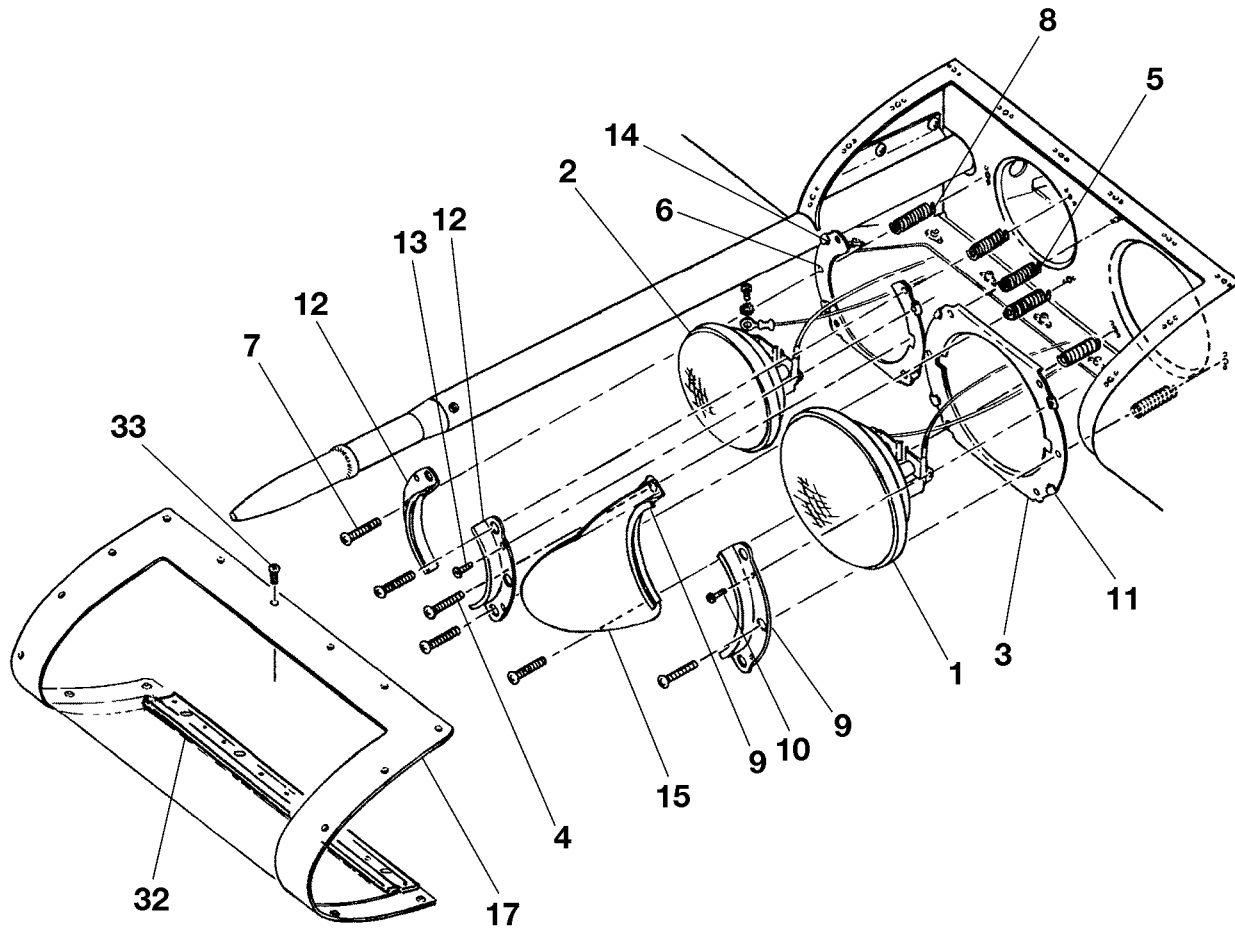
CESSNA®  
**MODEL 208**  
 ILLUSTRATED PARTS CATALOG

FIG ITEM	PART NUMBER	NOMENCLATURE	UNITS
			PER ASSY
		1 2 3 4 5 6 7	
04		PRIMARY AND SECONDARY CONSOLE LIGHTING INSTALLATION	RF R
-			
1	2670067-1	. POST LIGHT ASSY-PRIMARY AND SECONDARY CONSOLE . . . . .	01
2	S3368-2	. . BULB-POST LIGHT . . . . .	01
3	S2091-1	. VARIABLE RESISTOR-PRIMARY AND SECONDARY CONSOLE LIGHTING . .	01
4	S2266-2	. HEAT SINK-PRIMARY AND SECONDARY CONSOLE LIGHTING . . . . .	01
5	AN525-832R8	. SCREW . . . . .	04
6	MS21075L08N	. NUTPLATE . . . . .	04
7	MS24523-22	. SWITCH-PRIMARY AND SECONDARY CONSOLE LIGHT . . . . .	01
8	40240-1385	. LIGHT ASSY-PRIMARY AND SECONDARY CONSOLE . . . . . V72914	01
9	6530323-2	. CHAIN ASSY-LIGHT . . . . .	01
10	MS35206-230	. SCREW . . . . .	01
11	MS35206-232	. SCREW . . . . .	01
12	NAS1149FN632P	. WASHER . . . . .	02
13	MS35489-146	. GROMMET . . . . .	01
14	MS21919WDF3	. CLAMP . . . . .	01
15	AN525-832R8	. SCREW . . . . .	01
16	MS21075L08N	. NUTPLATE . . . . .	01

- ITEM NOT ILLUSTRATED

CESSNA®  
**MODEL 208**  
ILLUSTRATED PARTS CATALOG

A24891



2618R1027

LANDING AND TAXI LIGHT INSTALLATION  
FIGURE 01 (SHEET 1)



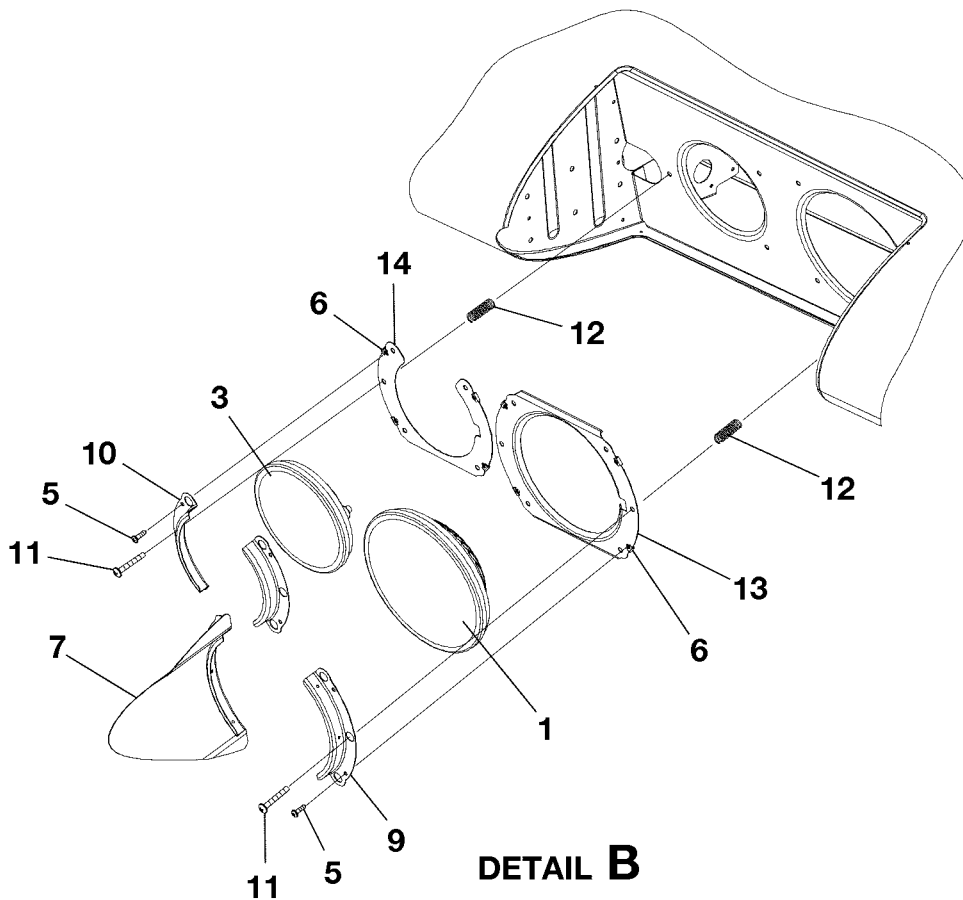
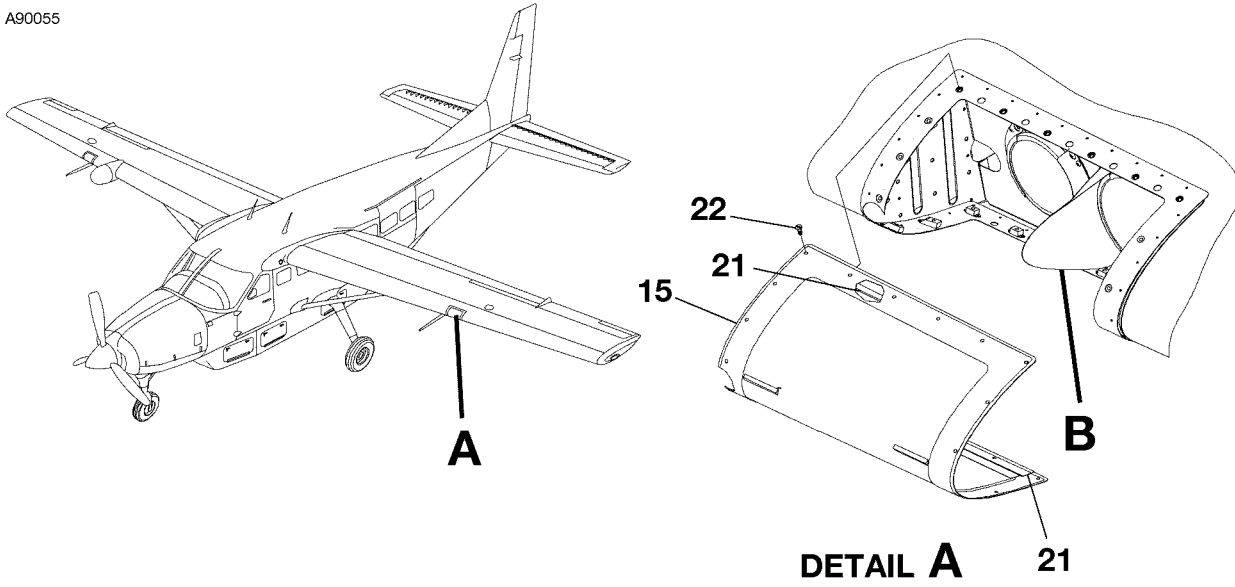
**CESSNA®**  
**MODEL 208**  
**ILLUSTRATED PARTS CATALOG**

FIG ITEM	PART NUMBER	NOMENCLATURE	UNITS PER ASSY		
			1	2	3
01		LANDING AND TAXI LIGHT INSTALLATION	0001	0663	RF R
-			B0001	B4999	
1	4553	. LIGHT ASSY-LANDING . . . . . V24446			01
2	4626	. LIGHT ASSY-TAXI . . . . . V80204			01
3	2622074-29	. PLATE-LANDING LIGHT . . . . .			01
		ATTACHING PARTS			
4	MS35207-268	. SCREW . . . . .			03
5	0713124-1	. SPRING . . . . .			03
		—*—			
6	1221059-6	. PLATE-TAXI LIGHT . . . . .			01
		ATTACHING PARTS			
7	MS35207-268	. SCREW . . . . .			03
8	0713124-1	. SPRING . . . . .			03
		—*—			
9	2622074-9	. BRACKET-LANDING LIGHT . . . . .			02
		ATTACHING PARTS			
10	S1021Z6-8	. SCREW . . . . .			02
11	S3231-1	. NUT . . . . .			02
		—*—			
12	1221059-5	. BRACKET-TAXI LIGHT . . . . .			02
		ATTACHING PARTS			
13	S1021Z6-8	. SCREW . . . . .			02
14	S3231-1	. NUT . . . . .			02
		—*—			
15	2622190-1	. BAFFLE-LANDING LIGHT LH . . . . .			01
- 16	2622190-2	. BAFFLE-LANDING LIGHT RH . . . . .			01
17	2622074-49	. LENS ASSY-LH LANDING AND TAXI LIGHT . . . . .	0001	0261	01
			B0001	B0608	
- 18	2622074-65	. LENS ASSY-LH LANDING AND TAXI LIGHT . . . . .	0262	0663	01 R
			B0609	B4999	
- 19	2622074-50	. LENS ASSY-RH LANDING AND TAXI LIGHT . . . . .	0001	0261	01
			B0001	B0608	
- 20	2622074-66	. LENS ASSY-RH LANDING AND TAXI LIGHT . . . . .	0262	0663	01 R
			B0609	B4999	
- 22	2620028-1	. BLE LANDING LIGHT COVER-USED ON AIRCRAFT WITH TKS FAIRING INSTALLATION REFER TO NOTE 1 . . . . .	B2000	B4999	01 R
- 23	2620028-2	. BLE LANDING LIGHT COVER-USED ON AIRCRAFT WITH TKS FAIRING INSTALLATION REFER TO NOTE 1 . . . . .	B2000	B4999	01 R
- 24	2622074-41	. LENS-LH . . . . .	0001	0663	01 R
			B0001	B4999	
- 25	2622074-42	. LENS-RH . . . . .	0001	0663	01 R
			B0001	B4999	
- 26	2620028-3	. BLE LENS ASSY-LH REFER TO NOTE 1 . . . . .	B2000	B4999	01 R
- 27	2620028-4	. BLE LENS ASSY-RH REFER TO NOTE 1 . . . . .	B2000	B4999	01 R
- 28	2622074-51	. COVER-LENS LH . . . . .	0001	0261	01
			B0001	B0608	
- 29	2622074-52	. COVER-LENS RH . . . . .	0001	0261	01
			B0001	B0608	
- 30	2622074-67	. COVER-LENS LH . . . . .	0262	0663	01 R
			B0609	B4999	
- 31	2622074-68	. COVER-LENS RH . . . . .	0262	0663	01 R
			B0609	B4999	
32	2622268-1	. RETAINER . . . . .			02
		ATTACHING PARTS			
33	MS24693-S49	. SCREW . . . . .			21
		—*—			

NOTE 1—THIS PART/ASSEMBLY WAS INSTALLED WITH TKS AND/OR LOW AIRSPEED AWARENESS (LAA) SYSTEMS ON PRODUCTION AIRCRAFT AND IS ALSO AFFECTED BY ONE OR MORE OF THE FOLLOWING CESSNA AIRCRAFT CARAVAN BULLETIN(S) AND/OR SERVICE KIT NUMBERS: SK208-174, SK208-175, SK208-179, SK208-180, CAB09-9, AND CAB08-7. PLEASE REFER TO THE SPECIFIC CAB OR SERVICE KIT FOR SERIAL SPECIFIC ORDERING INFORMATION.

CESSNA®  
**MODEL 208**  
 ILLUSTRATED PARTS CATALOG

A90055



LANDING AND TAXI LIGHT INSTALLATION - LIGHT EMITTING DIODE (LED)  
 FIGURE 01A (SHEET 1)

2610T7004  
 A2618T1481  
 B2618T1481

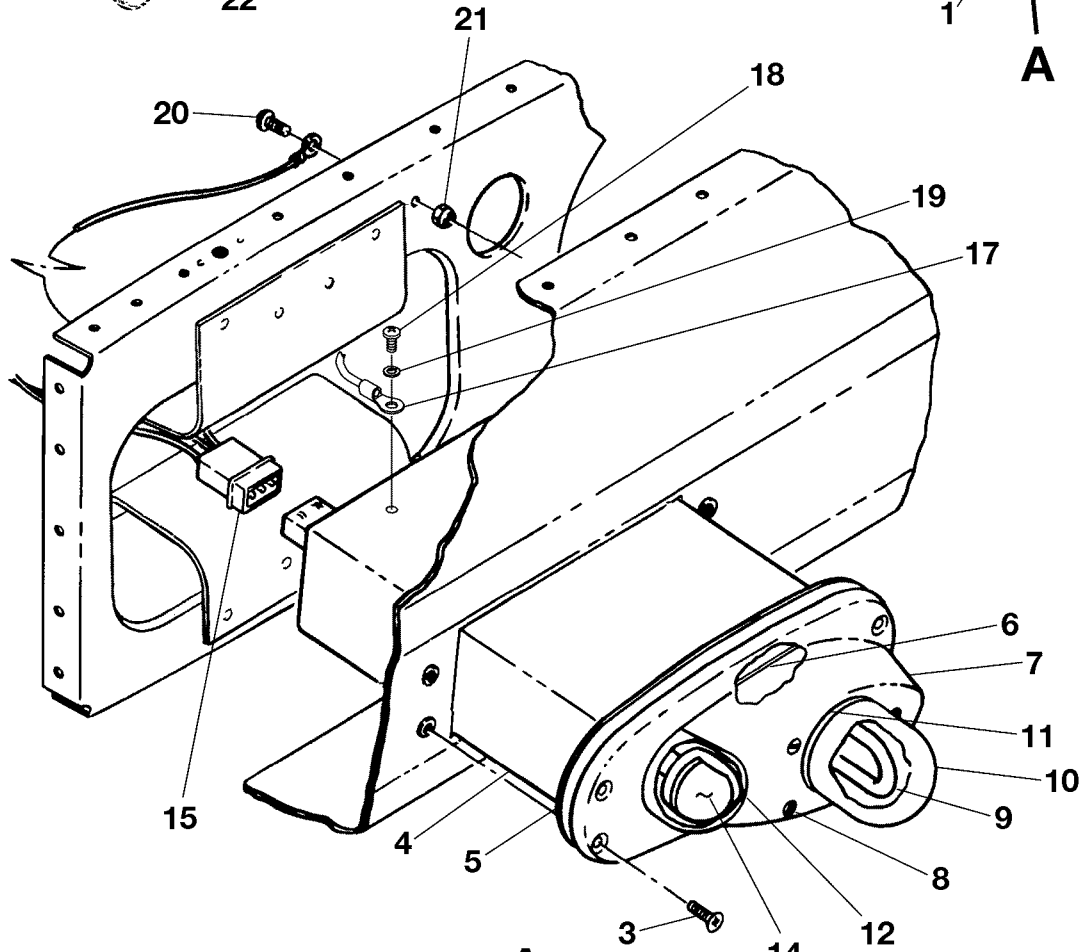
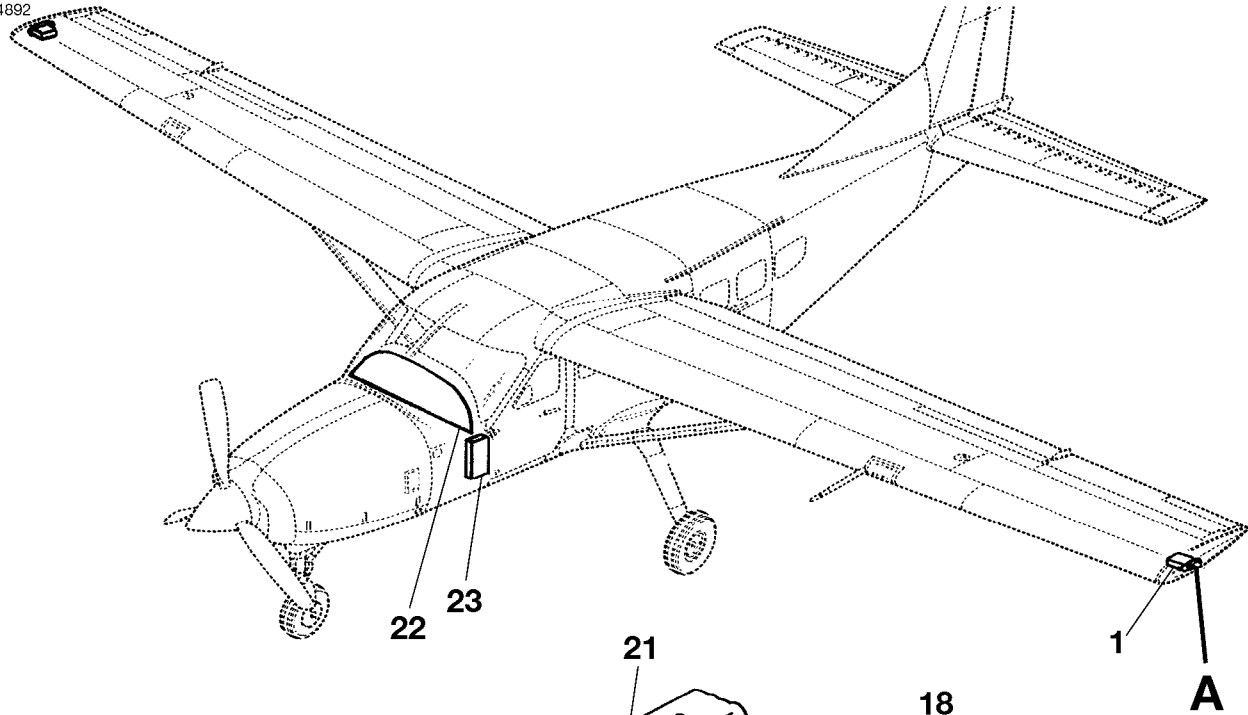
**CESSNA®**  
**MODEL 208**  
**ILLUSTRATED PARTS CATALOG**

FIG ITEM	PART NUMBER	NOMENCLATURE	UNITS PER ASSY		
			1	2	3
01A		LANDING AND TAXI LIGHT INSTALLATION - LIGHT EMITTING DIODE (LED)			
-			0064	& ON	RF R
			B5000	& ON	
1	01-0790623-20	. LED LIGHT-LANDING LH FL005 . . . . . V10402	B5000	B5203	01
- 1A	01-0790750-20	. LED LIGHT-LANDING LH FL005 . . . . . V10402	0664	& ON	01 R
			B5204	& ON	
- 2	01-0790623-20	. LED LIGHT-LANDING RH FR005 . . . . . V10402	B5000	B5203	01
- 2A	01-0790750-20	. LED LIGHT-LANDING RH FR005 . . . . . V10402	0664	& ON	01 R
			B5204	& ON	
3	01-0771424-25	. LED LIGHT-TAXI LH FL006 . . . . . V10402	B5000	B5203	01
- 3A	01-0771833-25	. LED LIGHT-TAXI LH FL006 . . . . . V10402	0664	& ON	01 R
			B5204	& ON	
- 4	01-0771424-25	. LED LIGHT-TAXI RH FR006 . . . . . V10402	B5000	B5203	01
- 4A	01-0771833-25	. LED LIGHT-TAXI RH FR006 . . . . . V10402	0664	& ON	01 R
			B5204	& ON	
		ATTACHING PARTS			
5	S1021Z6-8	. SCREW . . . . .			08
6	NAS488-1-3	. NUT . . . . .			08
		—*—			
7	2622190-1	. BAFFLE-LH . . . . .			01
- 8	2622190-2	. BAFFLE-RH . . . . .			01
9	2622074-9	. BRACKET . . . . .			02
10	1221059-5	. BRACKET . . . . .			02
		ATTACHING PARTS			
11	MS35207-268	. SCREW . . . . .			03
12	0713124-1	. SPRING . . . . .			06
		—*—			
13	2622074-29	. PLATE-LANDING LIGHT . . . . .			01
14	1221059-6	. PLATE-TAXI LIGHT-LH AND RH . . . . .	B5000	B5217	01
- 14A	1221059-16	. PLATE-TAXI LIGHT-LH AND RH . . . . .	0663	& ON	01 R
			B5218	& ON	
15	2620028-1	. BLE LANDING LIGHT COVER-LH USED ON AIRCRAFT WITH TKS FAIRING . . . . .			01
- 16	2620028-2	. BLE LANDING LIGHT COVER-RH USED ON AIRCRAFT WITH TKS FAIRING . . . . .			01
- 17	2620028-3	. LENS ASSY-LH . . . . .			01
- 18	2620028-4	. LENS ASSY-RH . . . . .			01
- 19	2622074-67	. COVER LENS-LH . . . . .			01
- 20	2622074-68	. COVER LENS-RH . . . . .			01
21	2622268-1	. RETAINER . . . . .			02
		ATTACHING PARTS			
22	MS24693-S49	. SCREW . . . . .			21
		—*—			

- ITEM NOT ILLUSTRATED

CESSNA®  
**MODEL 208**  
ILLUSTRATED PARTS CATALOG

A24892



**DETAIL A**

WING NAVIGATION AND STROBE LIGHT INSTALLATION  
FIGURE 01 (SHEET 1)

2618R1020  
A2618R2003

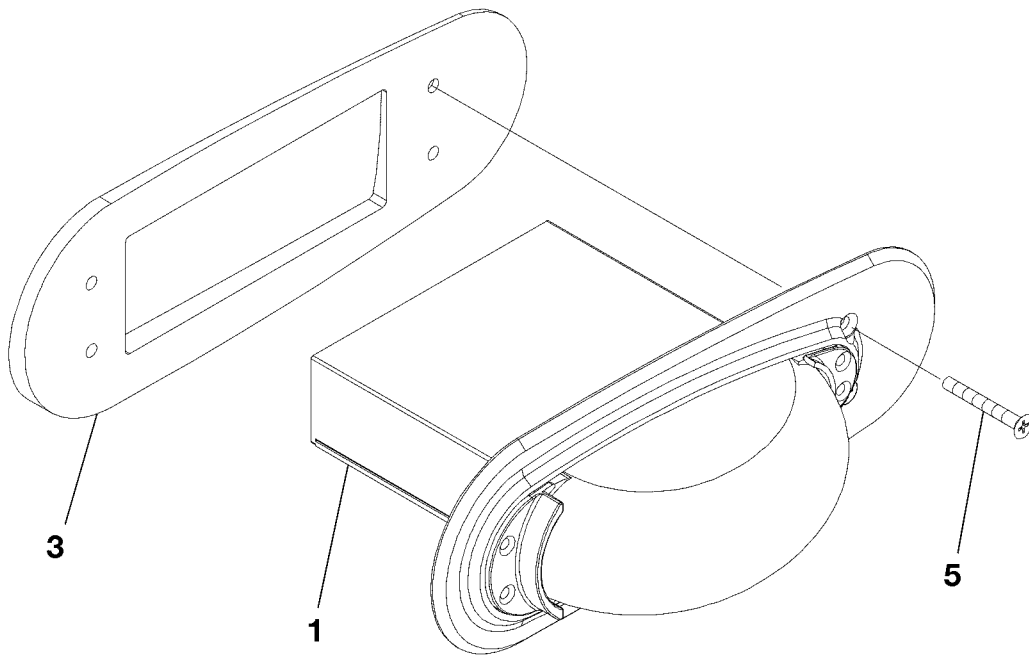
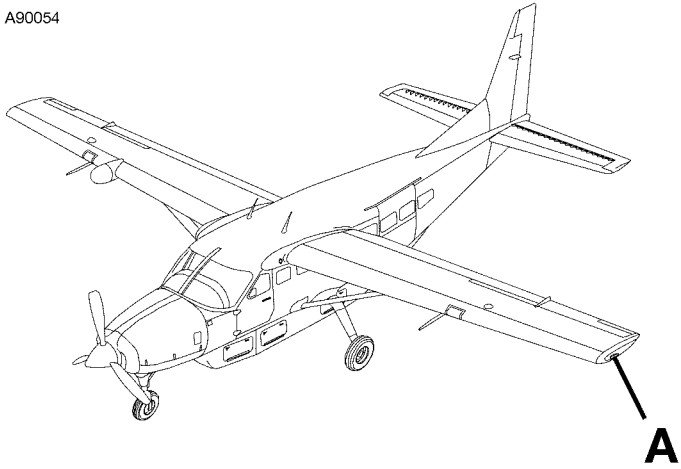
**CESSNA®**  
**MODEL 208**  
**ILLUSTRATED PARTS CATALOG**

FIG ITEM	PART NUMBER	NOMENCLATURE	UNITS PER ASSY		
			1	2	3
01		WING NAVIGATION AND STROBE LIGHT INSTALLATION	0001	0663	RF R
-			B0001	B4999	
1	C622010-0101	. LIGHT ASSY-WING NAVIGATION AND STROBE LH FSO S3100-526 . . . . .	0001	0523	NP
			B0001	B2220	
- 1A	S3100-526	. LIGHT ASSY-WING NAVIGATION AND STROBE LH REFER TO NOTE 1 FL003 . . . . .	0524	0663	01 R
			B2221	B4999	
- 2	C622010-0102	. LIGHT ASSY-WING NAVIGATION AND STROBE RH FSO S3100-527 . . . . .	0001	0523	NP R
			B0001	B2220	
- 2A	S3100-527	. LIGHT ASSY-WING NAVIGATION AND STROBE RH REFER TO NOTE 1 FR003 . . . . .	0524	0663	01 R
			B2221	B4999	
		ATTACHING PARTS			
3	MS24693S28	. SCREW REFER TO NOTE 1 . . . . .			04
		—*			
4	152-0024	. . POWER SUPPLY-NAV AND STROBE LIGHT FSO S3100-534 . . . . . V30467			NP
- 4A	S3100-534	. . POWER SUPPLY-NAV AND STROBE LIGHT SPARES ONLY . . . . .			01
5	080-0042	. . GASKET-FLANGE . . . . . V30467			01
6	080-0041	. . GASKET-LENS . . . . . V30467			01
7	101-0238A	. . RETAINER . . . . . V30467			01
		ATTACHING PARTS			
8	110-0158	. . SCREW . . . . . V30467			03
		—*			
9	040-0043	. . STROBE TUBE ASSY . . . . . V30467			01
10	111-0068	. . LENS-WING STROBE . . . . . V30467			01
11	080-0046	. . GASKET-STROBE LIGHT LENS . . . . .			01
12	111-0066	. . LENS-WING NAV LIGHT LH . . . . . V30467			01
- 13	111-0067	. . LENS-WING NAV LIGHT RH . . . . . V30467			01
14	040-0046	. . BULB-WING NAV LIGHT . . . . . V30467			01
15	S1638-2	. HOUSING-WIRE . . . . .			01
- 16	MS3367-1-9	. STRAP REFER TO NOTE 1 . . . . .			80
17	52273-2	. TERMINAL REFER TO NOTE 1 . . . . .			02
18	MS35206-213	. SCREW REFER TO NOTE 1 . . . . .			02
19	MS35338-40	. LOCK WASHER REFER TO NOTE 1 . . . . .			02
20	MS35206-230	. SCREW . . . . .			01
21	MS21044N06	. NUT . . . . .			01
22		. SWITCH-WING NAV & STROBE LIGHTS REFER TO 24-50-00 FIGURE 01 . .			RF
23		. CIRCUIT BREAKER-WING NAV AND STROBE LIGHTS REFER TO 24-50-01 FIGURE 02 . . . . .			RF

NOTE 1—ALSO FOR AIRPLANES -0416, -0500 THRU -0523, -B0119, -B1216, AND -B2000 THRU -B2220 INCORPORATING CAB10-8.

CESSNA®  
**MODEL 208**  
ILLUSTRATED PARTS CATALOG

A90054



**DETAIL A**

WING NAVIGATION LED LIGHT INSTALLATION  
FIGURE 01A (SHEET 1)

2610T7004  
A2628T1005

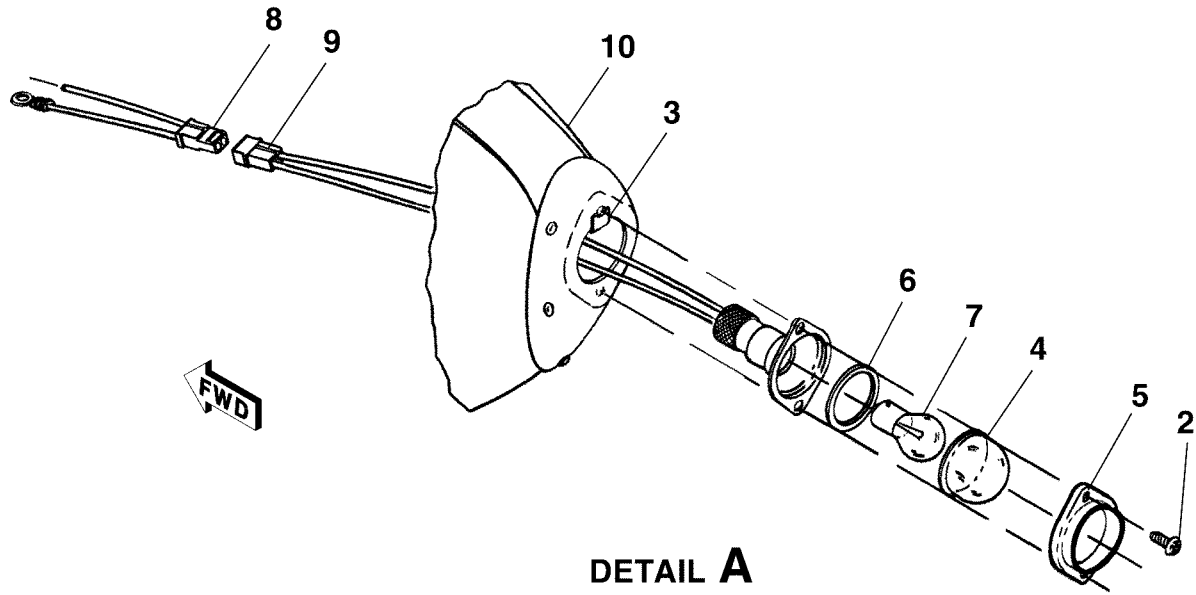
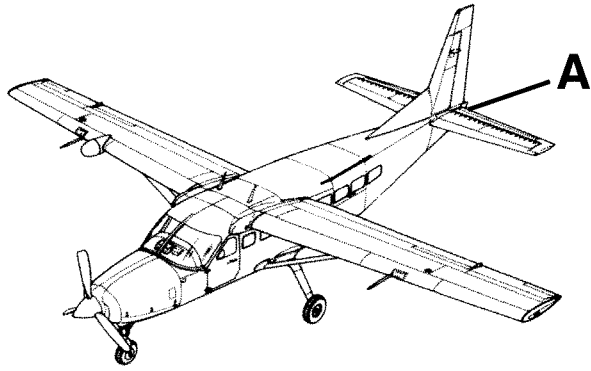
CESSNA®  
**MODEL 208**  
 ILLUSTRATED PARTS CATALOG

FIG ITEM	PART NUMBER	NOMENCLATURE	UNITS	
			PER	ASSY
01A				
-		WING NAVIGATION LED LIGHT INSTALLATION	0664 & ON B5000 & ON	RF R
1	01-0790613-92	. LED WINGTIP LIGHT-LH FL003 . . . . . V10402		01
- 2	01-0790613-91	. LED WINGTIP LIGHT-RH FR003 . . . . . V10402		01
3	2628005-3	. LIGHT SPACER-LH . . . . .		01
- 4	2628005-4	. LIGHT SPACER-RH . . . . .		01
		ATTACHING PARTS		
5	MS24693-S33	. SCREW . . . . .		04
		—*—		

- ITEM NOT ILLUSTRATED

CESSNA®  
**MODEL 208**  
ILLUSTRATED PARTS CATALOG

A24893



26107002  
A26182001

TAIL NAVIGATION LIGHT INSTALLATION  
FIGURE 02 (SHEET 1)



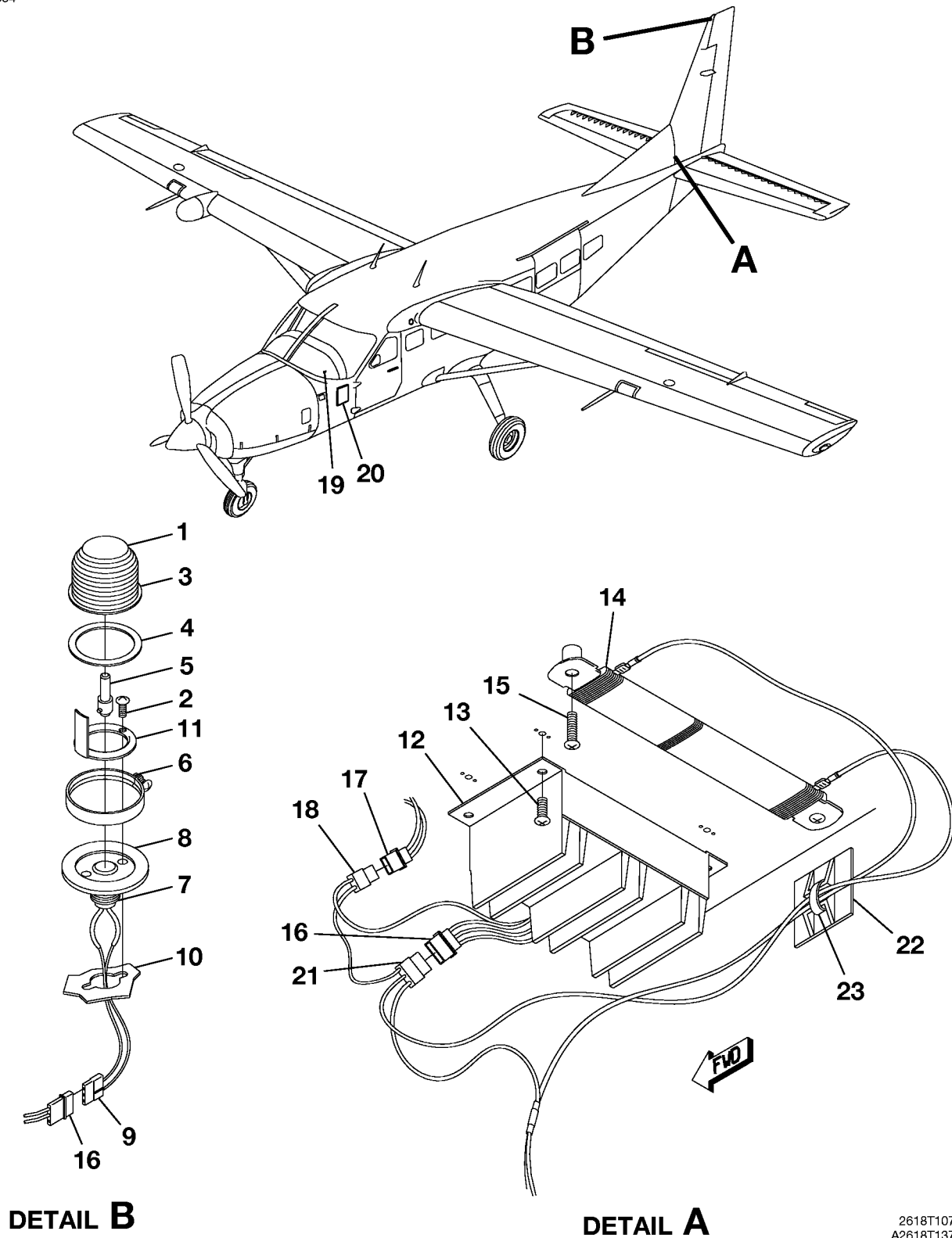
CESSNA®  
**MODEL 208**  
 ILLUSTRATED PARTS CATALOG

FIG ITEM	PART NUMBER	NOMENCLATURE	UNITS PER ASSY		
			1	2	3
02		TAIL NAVIGATION LIGHT INSTALLATION			RF
-					
- 1	C622001-0102	. LIGHT ASSY-TAIL NAVIGATION . . . . .	0001	0287	01
			B0001	B0685	
- 1A	C622001-0103	. LIGHT ASSY-TAIL NAVIGATION . . . . .	0288	0499	01
			B0686	B1999	
- 1B	2612047-37	. TAIL LIGHT ASSY . . . . .	0500	0663	01 R
			B2000	B4999	
		ATTACHING PARTS			
2	S1021Z6-10	. SCREW . . . . .	0001	0663	02 R
			B0001	B4999	
3	NAS488-3-3	. NUT . . . . .	0001	0663	02 R
			B0001	B4999	
		—*—			
- 3A	C622001-0103	. . LIGHT ASSY-TAIL NAVIGATION . . . . .	0500	0663	01 R
			B2000	B4999	
- 3B	TC218N1V02	. . INSULATOR CAP . . . . .	0500	0663	01
			B2000	B4999	
4	A4513-1	. . LENS . . . . . V72914			01
5	C622001-0104	. . RETAINER-LENS . . . . .			01
6	A2109-3	. . GASKET . . . . . V72914			01
7	MS35478-307	. LAMP-TAIL NAVIGATION . . . . .			01
8	S2035-1	. HOUSING-CAP . . . . .			01
9	S2035-2	. HOUSING-PLUG . . . . .			01
- 9A	S2114-3	. NIPPLE . . . . .	0237	0499	01
10		. STINGER INSTALLATION REFER TO 53-50-01 FIGURE 01 . . . . .			RF

- ITEM NOT ILLUSTRATED

CESSNA®  
**MODEL 208**  
ILLUSTRATED PARTS CATALOG

A24894



**DETAIL B**

**DETAIL A**

FLASHING BEACON LIGHT INSTALLATION  
FIGURE 01 (SHEET 1)

2618T1077  
A2618T1377  
B2618T2006

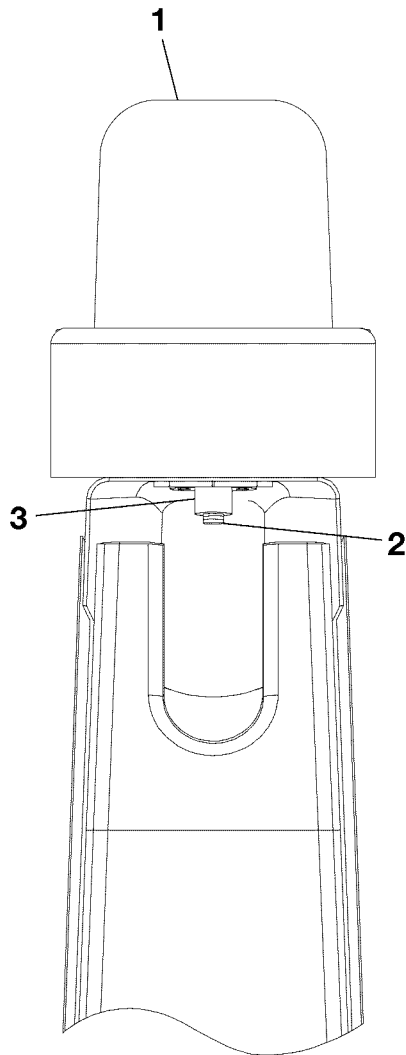
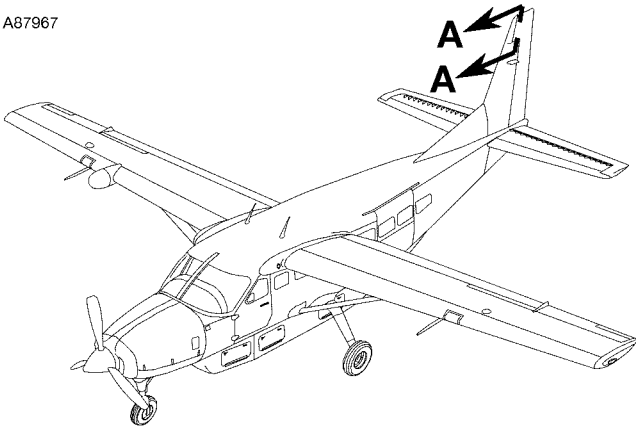
**CESSNA®**  
**MODEL 208**  
**ILLUSTRATED PARTS CATALOG**

FIG ITEM	PART NUMBER	NOMENCLATURE	UNITS PER ASSY		
			1	2	3
01		FLASHING BEACON LIGHT INSTALLATION	0001	0663	RF R
-			B0001	B4999	
1	C621001-0102	. LAMP ASSY FLASHING BEACON FV001 . . . . .			01
		ATTACHING PARTS			
2	MS35206-245	. SCREW . . . . .			02
		—*			
3	C17325	. . DOME . . . . . V30467			01
4	C17330	. . GASKET . . . . . V30467			01
5	C17312-1	. . LAMP-FLASHING BEACON 150W . . . . . V30467			01
6	C17326	. . CLAMP RING . . . . . V30467			01
7	C17313	. . SOCKET . . . . . V30467			01
8	C17331-1	. . MOUNTING PLATE . . . . . V30467			01
9	S1638-1	. . PLUG-HOUSING . . . . .			01
10		. TIP ASSY-FIN REFER TO 55-30-00 FIGURE 01 . . . . .			RF
11	0731607-1	. BAFFLE-FLASHING BEACON . . . . .			01
12	C594502-0102	. FLASHER ASSY-FLASHING BEACON . . . . .	0001	0499	01
			B0001	B1999	
- 12A	2670176-3	. FLASHER ASSY-FLASHING BEACON . . . . .	0500	0663	01 R
			B2000	B4999	
		ATTACHING PARTS			
13	MS35207-263	. SCREW . . . . .			04
		—*			
- 13A	2677173-5	. . WBA-FLASHING BEACON . . . . .	0500	0663	01 R
			B2000	B4999	
- 13B	C594502-0102	. . FLASHER ASSY . . . . .	0500	0663	01 R
			B2000	B4999	
14	HL-95-16N6 5%	. RESISTOR RC001 . . . . . V91637			01
		ATTACHING PARTS			
15	MS35207-265	. SCREW . . . . .			02
		—*			
16	S1638-2	. CAP-HOUSING . . . . .	0001	0499	02
			B0001	B1999	
17	S2035-1	. HOUSING-CAP . . . . .	0001	0499	01
			B0001	B1999	
18	S2035-2	. HOUSING-PLUG . . . . .	0001	0499	01
			B0001	B1999	
19		. SWITCH-FLASHING BEACON REFER TO 24-50-00 FIGURE 01 . . . . .			RF
20		. CIRCUIT BREAKER-FLASHING BEACON REFER TO 24-50-01 FIGURE 02 . . . . .			RF
21	S1638-1	. PLUG-HOUSING . . . . .	0001	0499	02
			B0001	B1999	
22	S2606-2	. MOUNT . . . . .	0382	0663	01 R
			B1089	B4999	
23	S2209-1	. TIE . . . . .	0382	0663	01 R
			B1089	B4999	

- ITEM NOT ILLUSTRATED

CESSNA®  
**MODEL 208**  
ILLUSTRATED PARTS CATALOG

A87967



**VIEW A-A**

**LED FLASHING BEACON LIGHT INSTALLATION**  
FIGURE 01A (SHEET 1)

2610T7004  
AA2636T1001

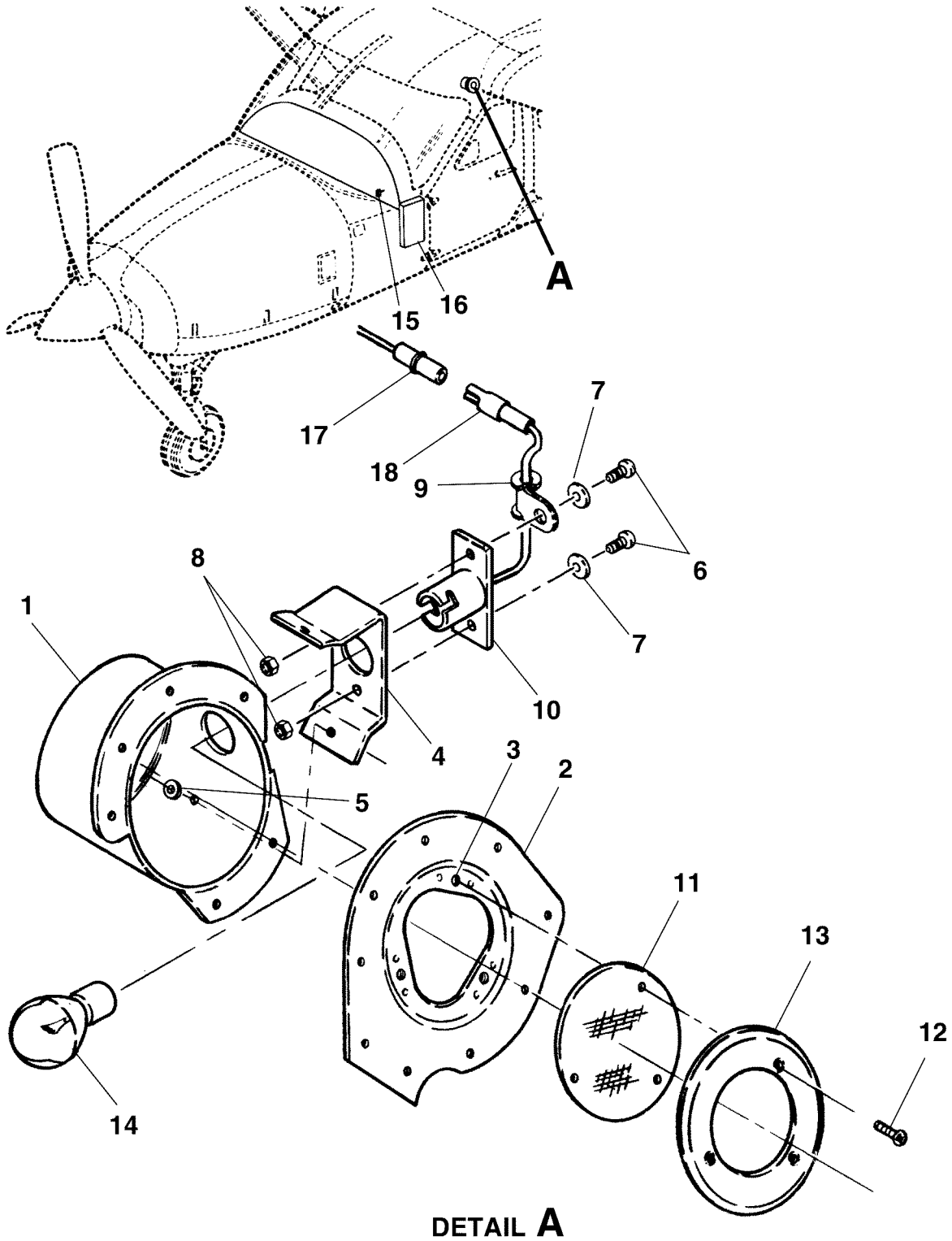
CESSNA®  
**MODEL 208**  
 ILLUSTRATED PARTS CATALOG

FIG ITEM	PART NUMBER	NOMENCLATURE	UNITS PER ASSY	
			1 2 3 4 5 6 7	
01A		LED FLASHING BEACON LIGHT INSTALLATION	0664	& ON RF R
-			B5000	& ON
1	01-0771055-19	. LED ANTI COLLISION LIGHT FV001 . . . . . V10402 ATTACHING PARTS		01 R
2	MS24694-S4	. SCREW . . . . .		02
3	MS21069L08	. NUTPLATE . . . . .		02
- 4	P840140	. TAPE . . . . .		AR
- 5	2677189-4	. FLASHING BEACON SMASS-WBA . . . . .		01

- ITEM NOT ILLUSTRATED

CESSNA®  
**MODEL 208**  
ILLUSTRATED PARTS CATALOG

A24895



**DETAIL A**

ICE DETECTOR LIGHT INSTALLATION  
FIGURE 01 (SHEET 1)

26181020  
A26182005A

**CESSNA®**  
**MODEL 208**  
**ILLUSTRATED PARTS CATALOG**

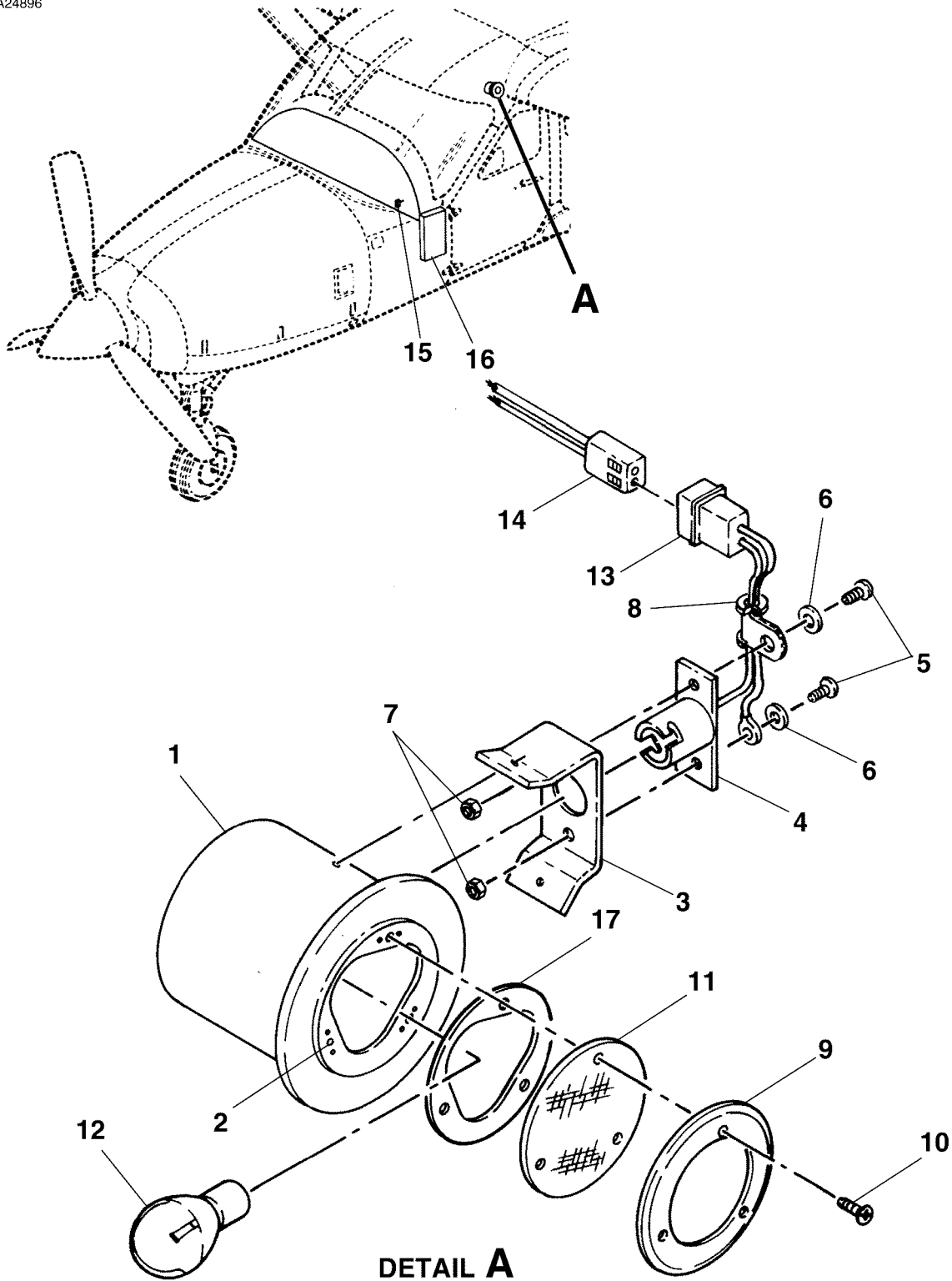
FIG ITEM	PART NUMBER	NOMENCLATURE	UNITS PER ASSY		
			1	2	3
01		ICE DETECTOR LIGHT INSTALLATION REFER TO NOTE 1	0001	& ON	RF R
-					
1	2601030-2	. HOUSING ASSY-ICE DETECTOR			01
2	2601030-6	. RETAINER ASSY			01
3	S2031-1K	. NUTPLATE			03
4	2601030-8	. BRACKET			01
		ATTACHING PARTS			
5	NAS1149FN432P	. WASHER			02
6	MS35206-245	. SCREW	0194	& ON	02
7	NAS1149FN832P	. WASHER UNDER SCREWHEAD	0194	& ON	02
8	MS21042-08	. NUT	0194	& ON	02
		—*—			
9	MS21919WDG2	. CLAMP	0194	& ON	01
10	S1927-3	. SOCKET	0001	0499	01
- 10A	2677176-4	. WBA-INSPECTION LIGHT	0500	& ON	01
11	2501123-1	. LENS			01
		ATTACHING PARTS			
12	MS24693-S27	. SCREW			03
		—*—			
13	1570396-7	. COVER			01
14	A-7079B-24	. LAMP FC009	V72914		01
15		. SWITCH-ICE DETECTOR LIGHT REFER TO 24-50-00 FIGURE 01			RF
16		. CIRCUIT BREAKER-ICE DETECTOR LIGHT REFER TO 24-50-01 FIGURE 02			RF
17	03-12-1016	. RECEPTACLE	V27264	0001	0499 01
18	03-12-2016	. PLUG	V27264	0001	0499 01

NOTE 1—THIS FIGURE CONTAINS PRODUCTION PARTS AND ASSEMBLIES INSTALLED WITH THE TKS AND/OR LOW AIRSPEED AWARENESS (LAA) SYSTEMS. TO ORDER PARTS FOR SERIAL SPECIFIC CONFIGURATIONS/INSTALLATIONS MODIFIED BY SK208-174, SK208-175, SK208-179, SK208-180, CAB09-9, AND CAB08-7, PLEASE REFER TO THE LATEST APPLICABLE REVISION OF THE SPECIFIC CARAVAN BULLETIN (CAB) AND/OR SERVICE KIT (SK) FOR DETAILED INFORMATION.

R

CESSNA®  
**MODEL 208**  
ILLUSTRATED PARTS CATALOG

A24896



ICE DETECTOR LIGHT INSTALLATION  
FIGURE 02 (SHEET 1)

26181020  
A26181021A



**CESSNA®**  
**MODEL 208**  
**ILLUSTRATED PARTS CATALOG**

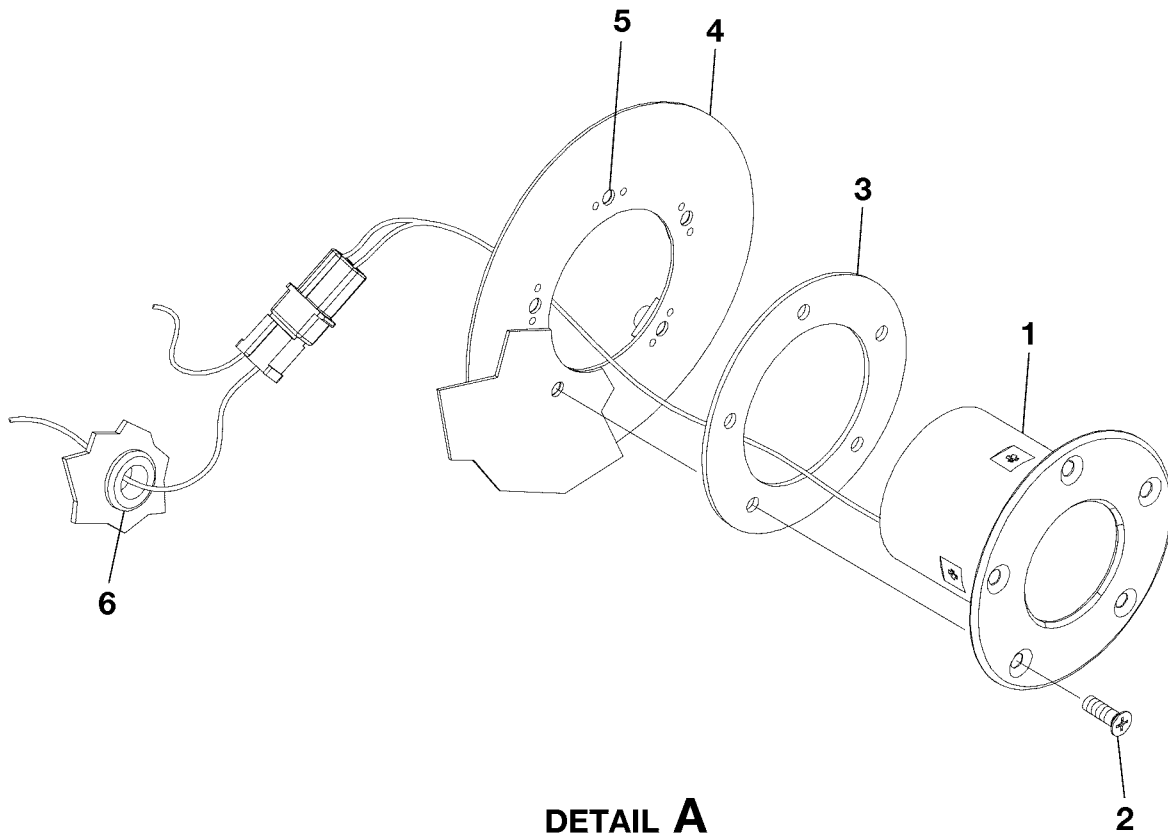
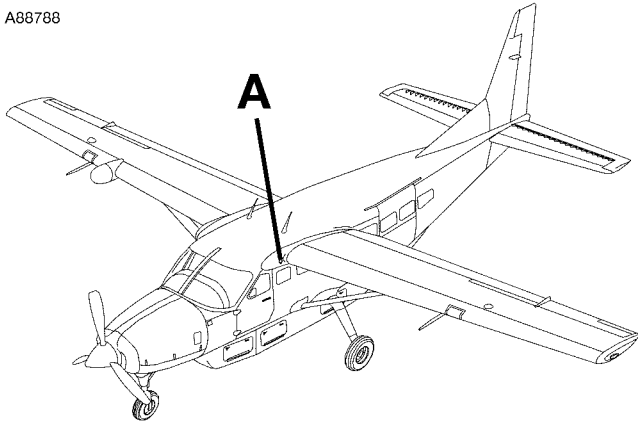
FIG ITEM	PART NUMBER	NOMENCLATURE	UNITS PER ASSY		
			1	2	3
02		ICE DETECTOR LIGHT INSTALLATION REFER TO NOTE 1	B0001	B2499	RF R
-					
1	2601303-2	. HOUSING ASSY-LIGHT			01
2	S2031-1	. NUTPLATE			03
3	2601030-8	. BRACKET			01
4	S1927-4	. SOCKET-LIGHT	B0001	B1999	01
		ATTACHING PARTS			
5	MS35206-245	. SCREW			02
6	NAS1149FN832P	. WASHER			02
7	MS21042-08	. NUT			02
		—*—			
8	MS21919WDG2	. CLAMP			01
9	1570396-7	. COVER			01
		ATTACHING PARTS			
10	MS24693-S27	. SCREW			03
		—*—			
11	2501123-1	. LENS-ICE DETECTOR LIGHT			01
12	A-7079B-24	. LAMP	V72914		01
13	S2035-1	. HOUSING-CAP	B0001	B1999	01
14	S2035-2	. HOUSING-PIN	B0001	B1999	01
- 14A	2677176-4	. WBA-INSPECTION LIGHT	B2000	& ON	01
15		. SWITCH-ICE DETECTOR LIGHT REFER TO 24-50-00 FIGURE 01			RF
16		. CIRCUIT BREAKER-ICE DETECTOR LIGHT REFER TO 24-50-01 FIGURE 02			RF
17	2601303-5	. SHIM-ICE DETECTOR LENS			AR

NOTE 1—THIS FIGURE CONTAINS PRODUCTION PARTS AND ASSEMBLIES INSTALLED WITH THE TKS AND/OR LOW AIRSPEED AWARENESS (LAA) SYSTEMS. TO ORDER PARTS FOR SERIAL SPECIFIC CONFIGURATIONS/INSTALLATIONS MODIFIED BY SK208-174, SK208-175, SK208-179, SK208-180, CAB09-9, AND CAB08-7, PLEASE REFER TO THE LATEST APPLICABLE REVISION OF THE SPECIFIC CARAVAN BULLETIN (CAB) AND/OR SERVICE KIT (SK) FOR DETAILED INFORMATION.

R

CESSNA®  
**MODEL 208**  
ILLUSTRATED PARTS CATALOG

A88788



**DETAIL A**

2610T7004  
A2618T1478

WING LED INSPECTION LIGHT INSTALLATION  
FIGURE 03 (SHEET 1)

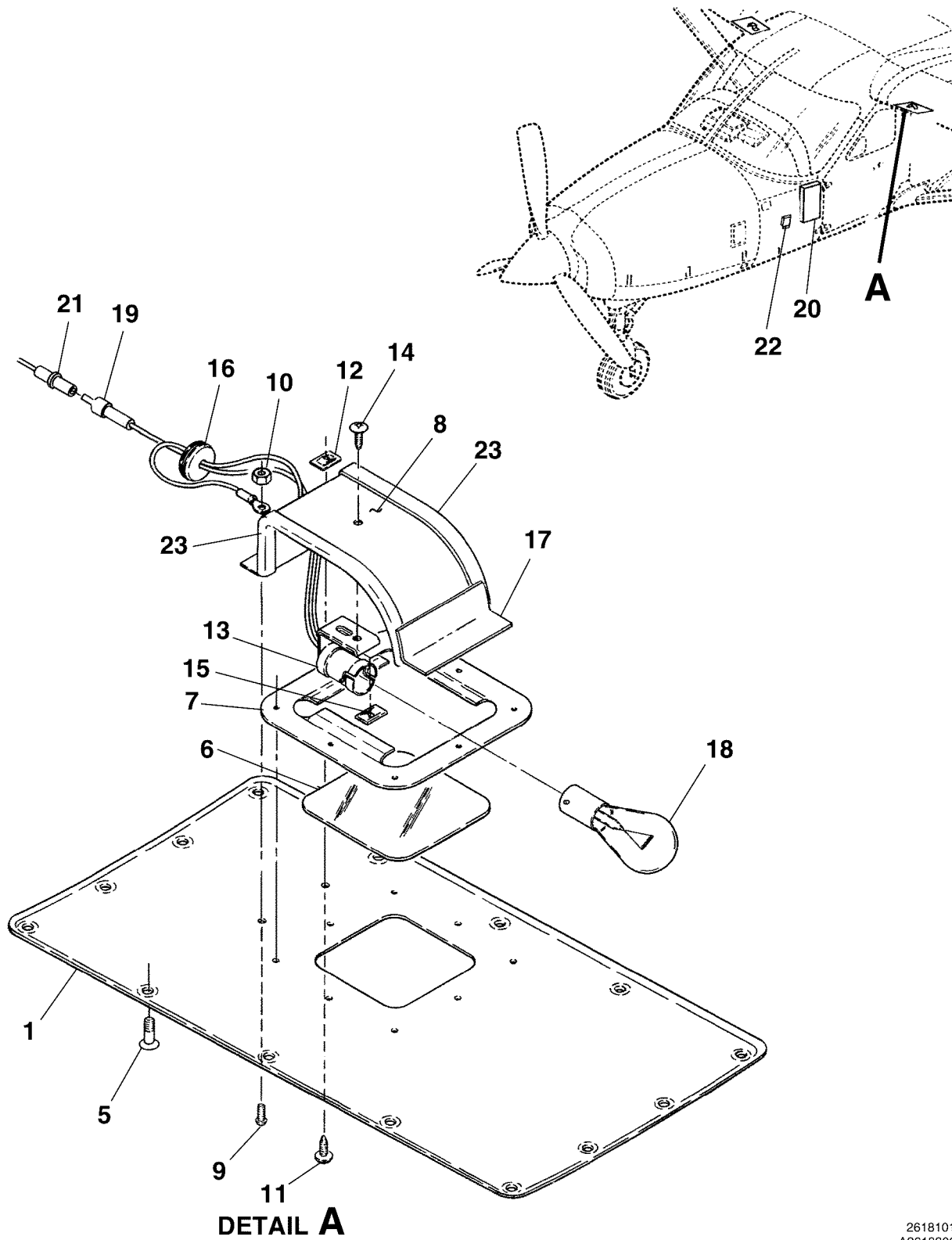
CESSNA®  
**MODEL 208**  
 ILLUSTRATED PARTS CATALOG

FIG ITEM	PART NUMBER	NOMENCLATURE	1 2 3 4 5 6 7							UNITS PER ASSY
03		WING LED INSPECTION LIGHT INSTALLATION								
-									B5000 & ON	RF R
1	WIL200-01	. WING INSPECTION LIGHT FC009 . . . . . V0GZF3								01 R
		ATTACHING PARTS								
2	MS24693-S50	. SCREW . . . . .								05 R
		—*—								
3	2618009-4	. GASKET-WING INSPECTION LIGHT . . . . .								01 R
4	2618009-2	. RING DOUBLER ASSY-WING INSPECTION LIGHT . . . . .								01 R
5	MS21075L08N	. . NUTPLATE . . . . .								05 R
6	MS35489-141	. GROMMET . . . . .								01 R

- ITEM NOT ILLUSTRATED

CESSNA®  
**MODEL 208**  
ILLUSTRATED PARTS CATALOG

A24897



**DETAIL A**

COURTESY LIGHT INSTALLATION - WING  
FIGURE 01 (SHEET 1)

26181018  
A26183002

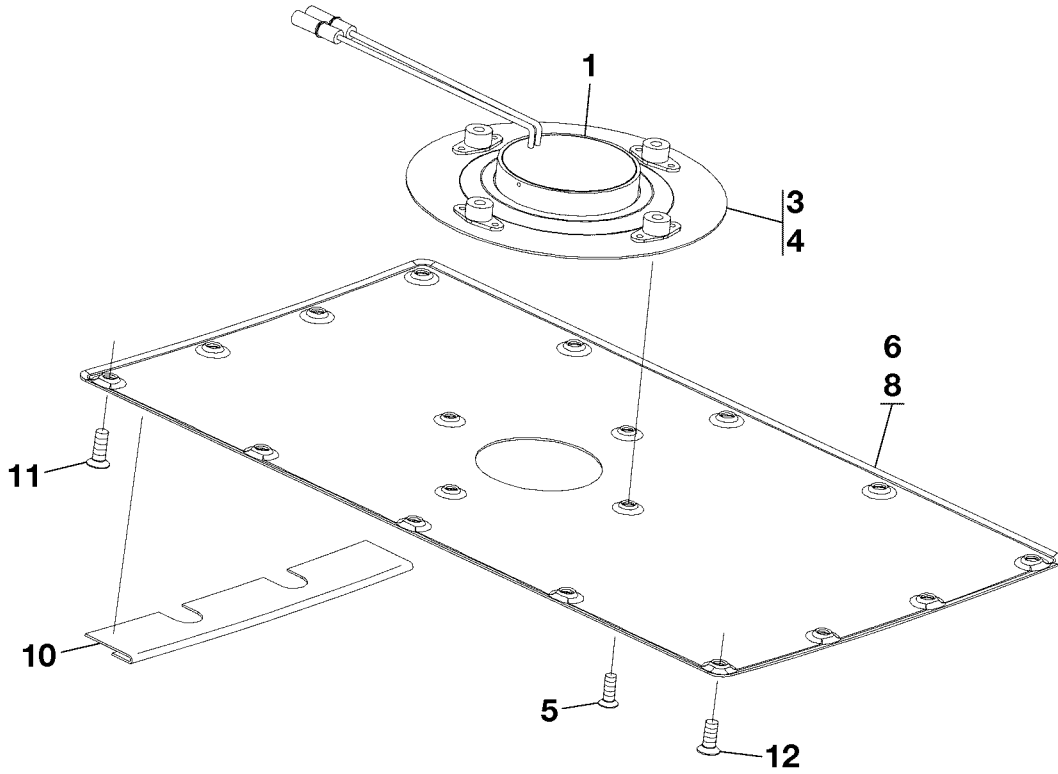
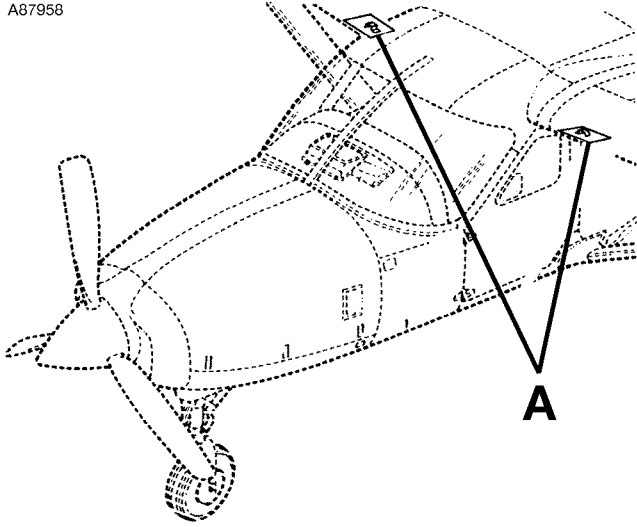
**CESSNA®**  
**MODEL 208**  
**ILLUSTRATED PARTS CATALOG**

FIG ITEM	PART NUMBER	NOMENCLATURE	UNITS PER ASSY		
			1	2	3
01		COURTESY LIGHT INSTALLATION - WING			
-			0001	0663	RF R
			B0001	B4999	
1	2622224-7	. COVER-ACCESS LH . . . . .	0001	0663	01 R
- 2	2622224-9	. COVER-ACCESS LH . . . . .	B0001	B4999	01 R
- 3	2622224-8	. COVER-ACCESS RH . . . . .	0001	0663	01
- 4	2622224-10	. COVER-ACCESS RH . . . . .	B0001	B4999	01 R
		ATTACHING PARTS			
5	MS24694-S49	. SCREW ALT FOR AN509-10-7 . . . . .			06
- 5A	MS24694-S50	. SCREW . . . . .			08
		*-*			
6	0521101-6	. LENS . . . . .			01
7	0521101-4	. DOUBLER . . . . .			01
8	0700616-3	. SHIELD ASSY-WING COURTESY LIGHT . . . . .			01
		ATTACHING PARTS			
9	MS35206-227	. SCREW . . . . .			02
10	MS21044N06	. NUT . . . . .			02
11	S1021Z6-6	. SCREW . . . . .			01
12	S4215-2	. NUT . . . . .			01
		*-*			
13	0700616-4	. SOCKET ASSY . . . . .			01
		ATTACHING PARTS			
14	S1021Z6-6	. SCREW . . . . .			01
15	S4215-2	. NUT . . . . .			01
		*-*			
16	MS35489-134	. GROMMET . . . . .			01
17	2670041-3	. BRACKET . . . . .			01
18	MS15584-15	. LAMP-WING COURTESY LIGHT . . . . .			01
19	03-12-1016	. RECEPTACLE . . . . .	V27264		01
20		. CIRCUIT BREAKER REFER TO 24-50-01 FIGURE 02 . . . . .			RF
21	03-12-2016	. PLUG . . . . .	V27264		01
22		. TIMER-COURTESY/CABIN LIGHTS REFER TO 33-20-00 FIGURE 01 . . . . .			RF
23	S202V0600W	. CHANNEL BKI . . . . .			02

- ITEM NOT ILLUSTRATED

CESSNA®  
**MODEL 208**  
ILLUSTRATED PARTS CATALOG

A87958



**DETAIL A**

LED COURTESY LIGHT INSTALLATION - WING  
FIGURE 01A (SHEET 1)

2618R1018  
A2628T1004

CESSNA®  
**MODEL 208**  
 ILLUSTRATED PARTS CATALOG

FIG ITEM	PART NUMBER	NOMENCLATURE							UNITS PER ASSY
		1	2	3	4	5	6	7	
01A		LED COURTESY LIGHT INSTALLATION - WING							
-								0664 & ON B5000 & ON	RF R
1	CL13540-1	.						V1XE65	01
- 2	CL13540-1	.						V1XE65	01
3	2628006-7	.							01
4	2628006-8	.							01
		.							
5	MS24694-S4	.							04
		.							
6	2628006-3	.							01
- 7	2628006-4	.							01
8	2628006-5	.							01
- 9	2628006-6	.							01
10	2620023-29	.							01
		.							
		.							
11	MS24694-S50	.							08
12	MS24694-S49	.							06
		.							

- ITEM NOT ILLUSTRATED